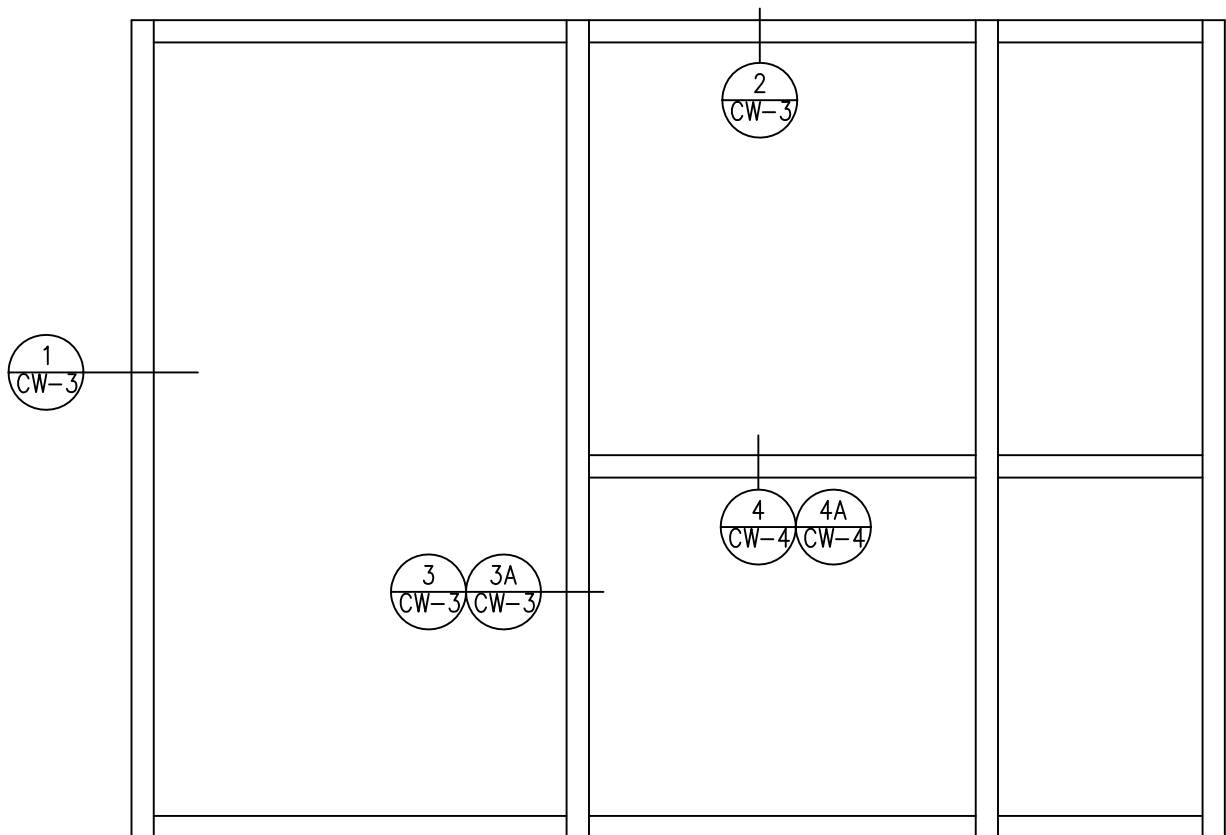
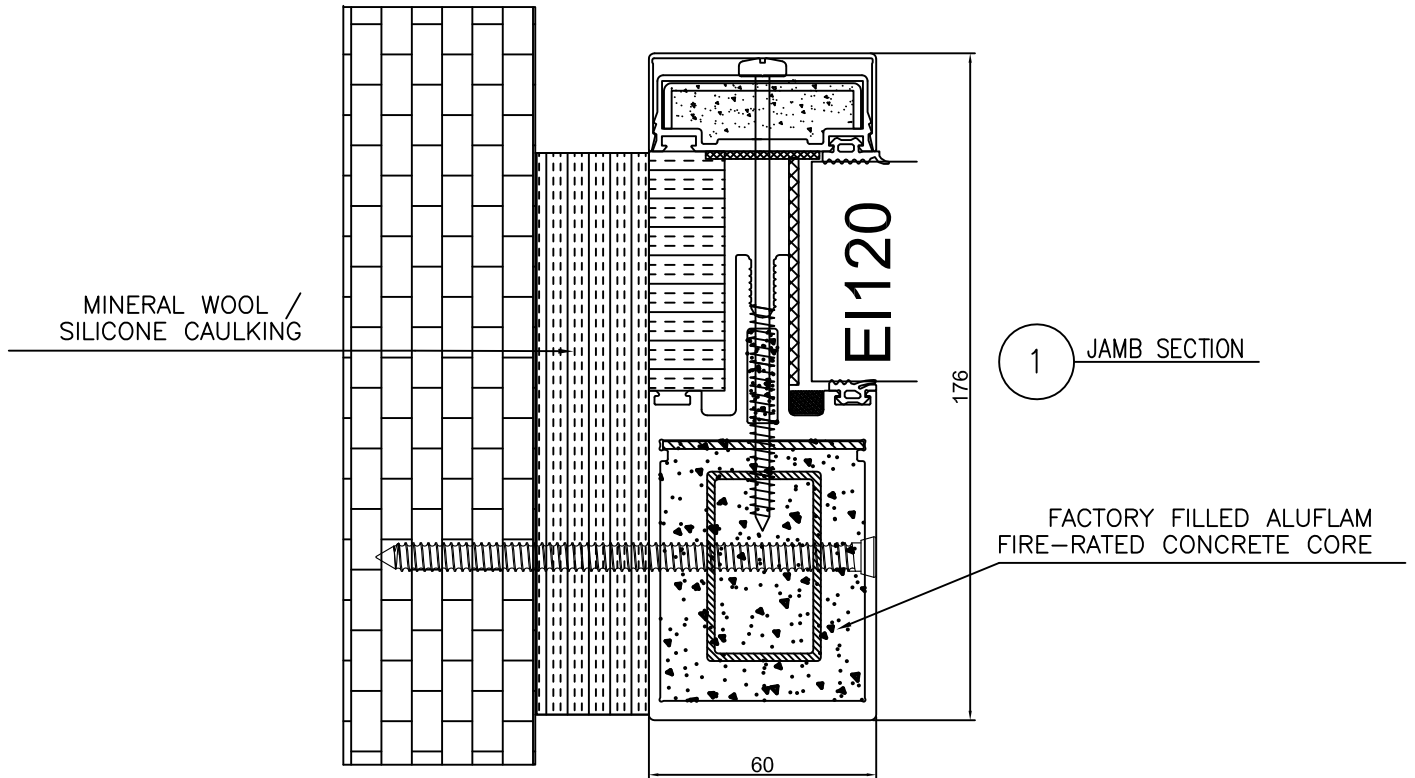


- 1x(h)174mm+ 1x(v)176mm standard framing members
- Available in Anodized, Powdercoated & Architectural Painted finishes
- Interior and exterior installation
- Delivered fully assembled - or segmented for ease of transport/handling
- 120 minute rated per UL xxx
- Please refer to data sheet for max. sizes / ratings

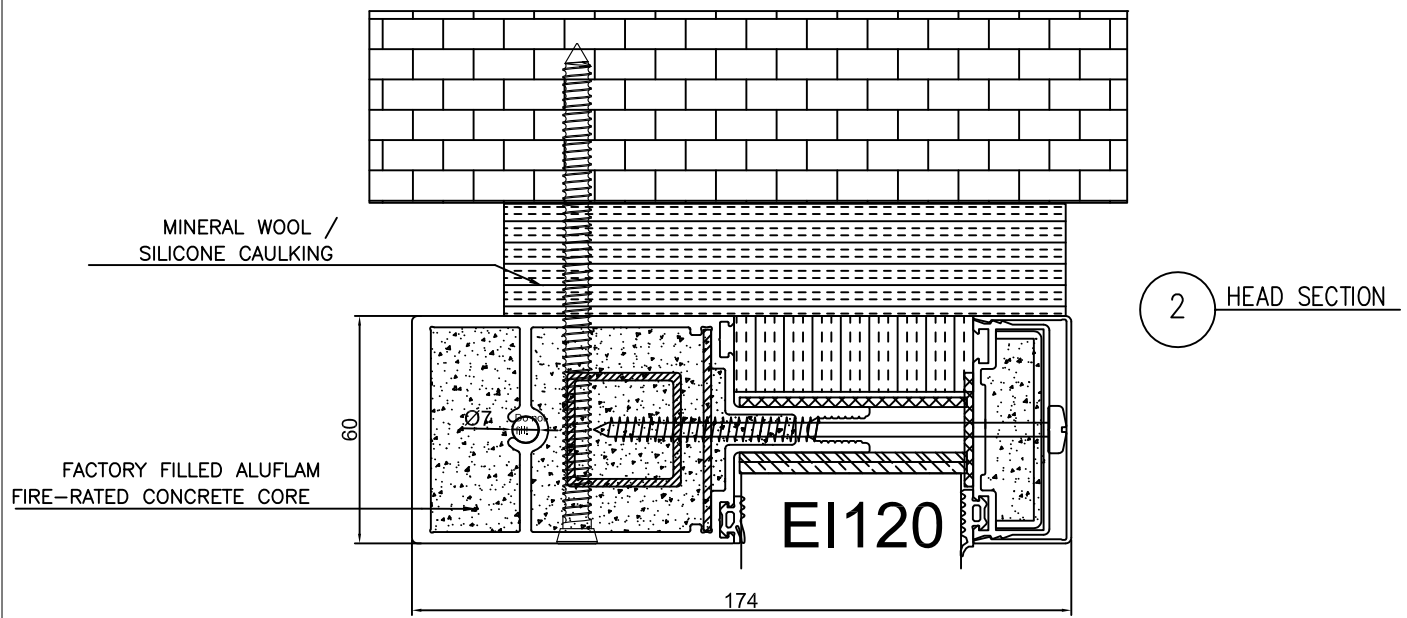


PROPRIETARY AND CONFIDENTIAL
 THE INFORMATION CONTAINED IN THIS
 DRAWING IS THE SOLE PROPERTY OF
 ALUFLAM. ANY
 REPRODUCTION IN PART OR AS A WHOLE
 WITHOUT THE WRITTEN PERMISSION OF
 ALUFLAM IS PROHIBITED.

		DIMENSIONS ARE IN MILLIMETERS		NAME	DATE	AW60 system	
		TOLERANCES:		DRAWN	I.Nachev		
		FRACTIONAL ±		CHECKED	Z.Meironas	2010.02.12	120 MINUTE FIRE-RATED CURTAIN WALL
		ANGULAR: MACH ± BEND ±		ENG APPR.			
		TWO PLACE DECIMAL ±		MFG APPR.			
		THREE PLACE DECIMAL ±		Q.A.			
		MATERIAL		COMMENTS:			
NEXT ASSY	USED ON	FINISH					SIZE DWG. NO. 001
APPLICATION							REV.
				CW-1			WEIGHT: SHEET 1 OF 4



1 JAMB SECTION



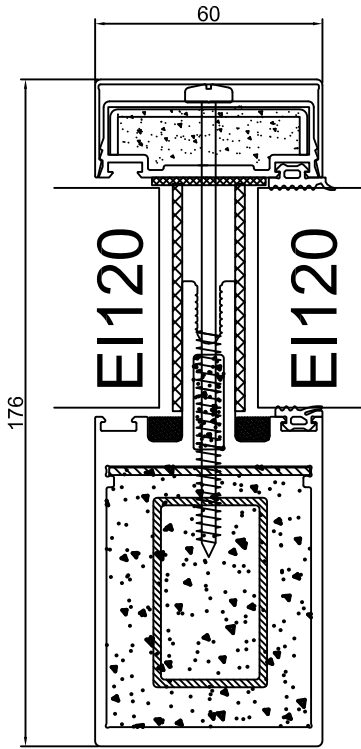
2 HEAD SECTION



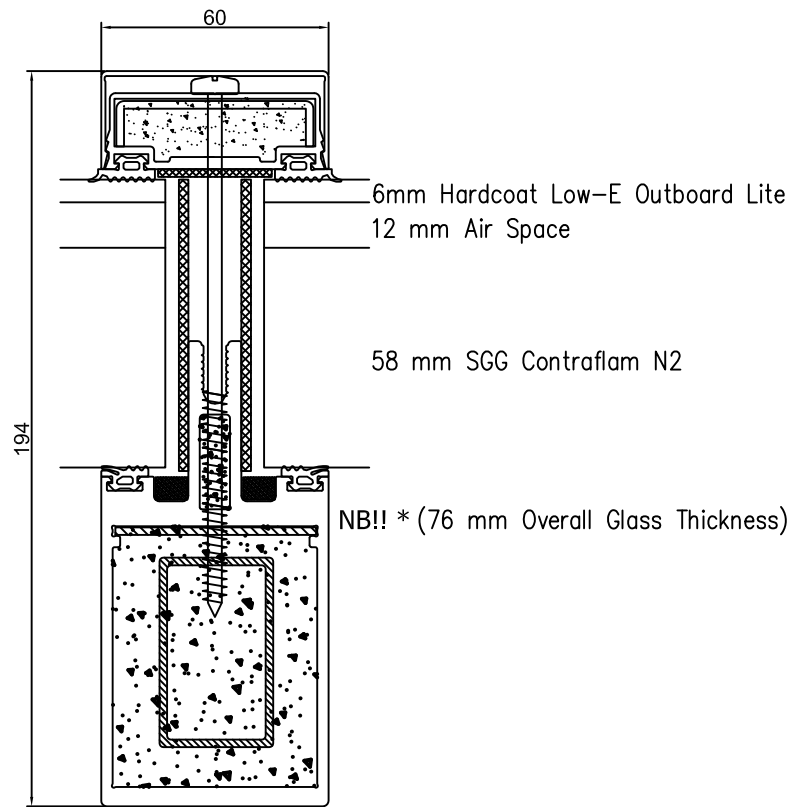
PROPRIETARY AND CONFIDENTIAL
 THE INFORMATION CONTAINED IN THIS
 DRAWING IS THE SOLE PROPERTY OF
 ALUFLAM. ANY
 REPRODUCTION IN PART OR AS A WHOLE
 WITHOUT THE WRITTEN PERMISSION OF
 ALUFLAM IS PROHIBITED.

		DIMENSIONS ARE IN MILLIMETERS		NAME	DATE
		TOLERANCES:		DRAWN	I.Nachev 2010.02.07
		FRACTIONAL ±		CHECKED	Z.Meironas 2010.02.12
		ANGULAR: MACH ± BEND ±		ENG APPR.	
		TWO PLACE DECIMAL ±		MFG APPR.	
		THREE PLACE DECIMAL ±		Q.A.	
		MATERIAL		COMMENTS:	
NEXT ASSY	USED ON	FINISH			
APPLICATION					

AW60 system			
120 MINUTE FIRE-RATED CURTAIN WALL			
SIZE	DWG. NO.	002	REV.
A			
CW-2	WEIGHT:		SHEET 2 OF 4



3 VERT. SECTION

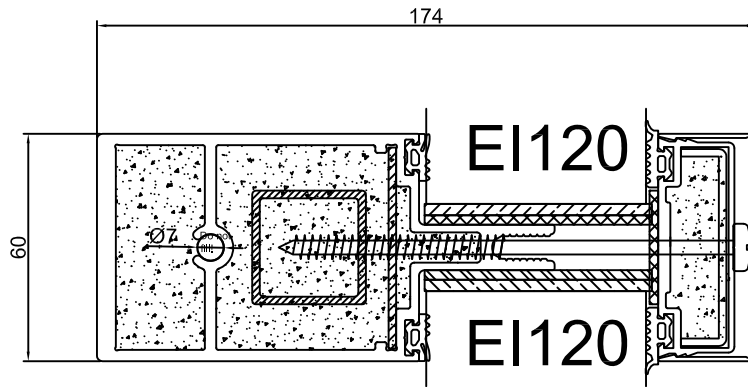


3A VERT. SECTION (EXT. INSTALL)
CONTRAFLAM 120 MIN IGU

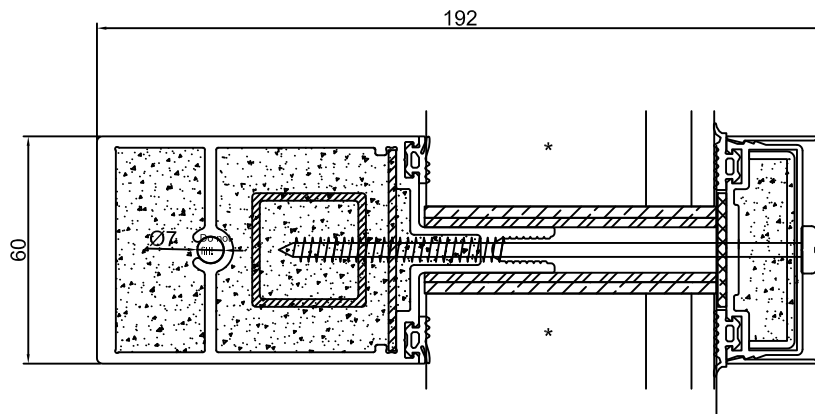


PROPRIETARY AND CONFIDENTIAL
THE INFORMATION CONTAINED IN THIS
DRAWING IS THE SOLE PROPERTY OF
ALUFLAM. ANY
REPRODUCTION IN PART OR AS A WHOLE
WITHOUT THE WRITTEN PERMISSION OF
ALUFLAM IS PROHIBITED.

		DIMENSIONS ARE IN MILLIMETERS		NAME	DATE	AW60 system	
		TOLERANCES:		DRAWN	I.Nachev	2010.02.07	120 MINUTE FIRE-RATED CURTAIN WALL
		FRACTIONAL ±		CHECKED	Z.Meironas	2010.02.12	
		ANGULAR: MACH ± BEND ±		ENG APPR.			
		TWO PLACE DECIMAL ±		MFG APPR.			
		THREE PLACE DECIMAL ±		Q.A.			
		MATERIAL		COMMENTS:			
NEXT ASSY	USED ON	FINISH				SIZE	REV.
APPLICATION						DWG. NO.	
						A	003
						CW-3	WEIGHT:
						SHEET 3 OF 4	



4 HOR. SECTION



4A HOR. SECTION (EXT. INSTALL)
CONTRAFLAM 120 MIN IGU



PROPRIETARY AND CONFIDENTIAL
THE INFORMATION CONTAINED IN THIS
DRAWING IS THE SOLE PROPERTY OF
ALUFLAM. ANY
REPRODUCTION IN PART OR AS A WHOLE
WITHOUT THE WRITTEN PERMISSION OF
ALUFLAM IS PROHIBITED.

		DIMENSIONS ARE IN MILLIMETERS		NAME	DATE	AW60 system	
		TOLERANCES:		DRAWN	I.Nachev	2010.02.07	120 MINUTE FIRE-RATED CURTAIN WALL
		FRACTIONAL ±		CHECKED	Z.Meironas	2010.02.12	
		ANGULAR: MACH ± BEND ±		ENG APPR.			
		TWO PLACE DECIMAL ±		MFG APPR.			
		THREE PLACE DECIMAL ±		Q.A.			
		MATERIAL		COMMENTS:			SIZE DWG. NO. 004
NEXT ASSY	USED ON	FINISH					REV.
APPLICATION							CW-4 WEIGHT: SHEET 4 OF 4