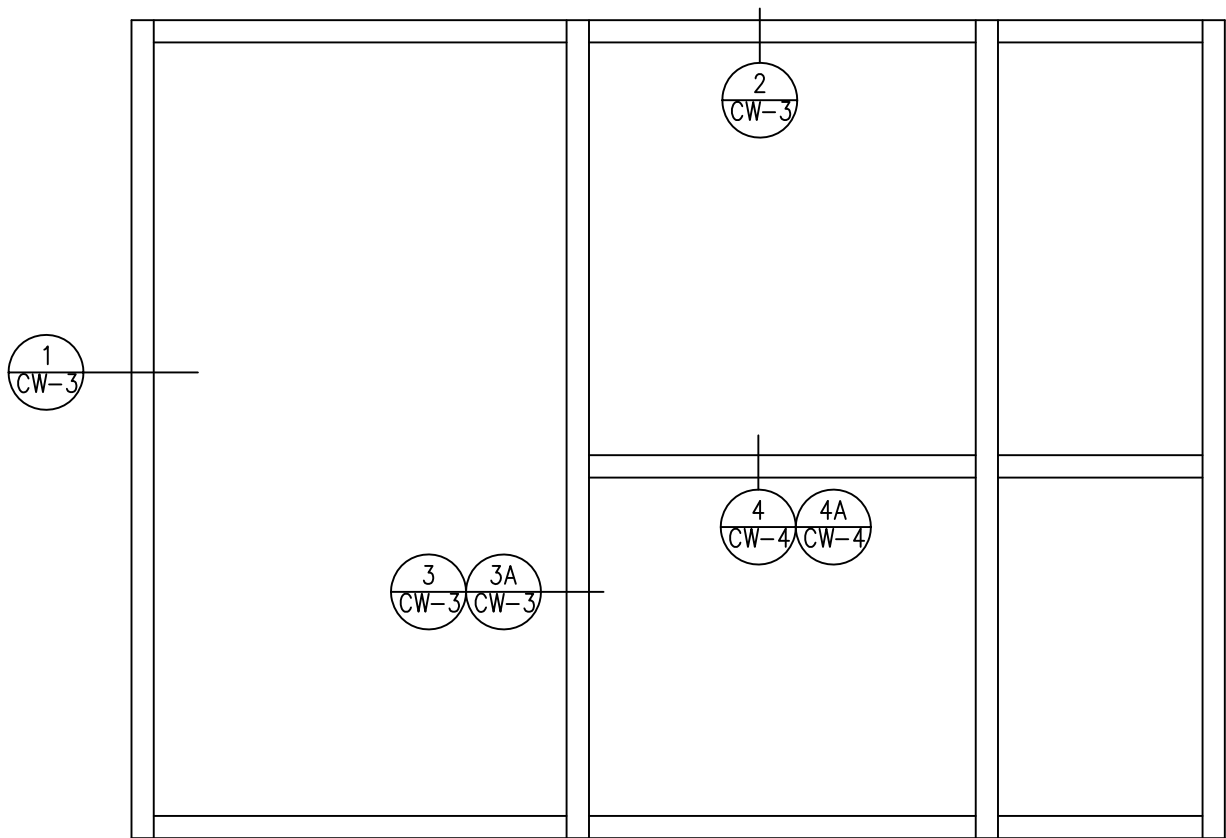


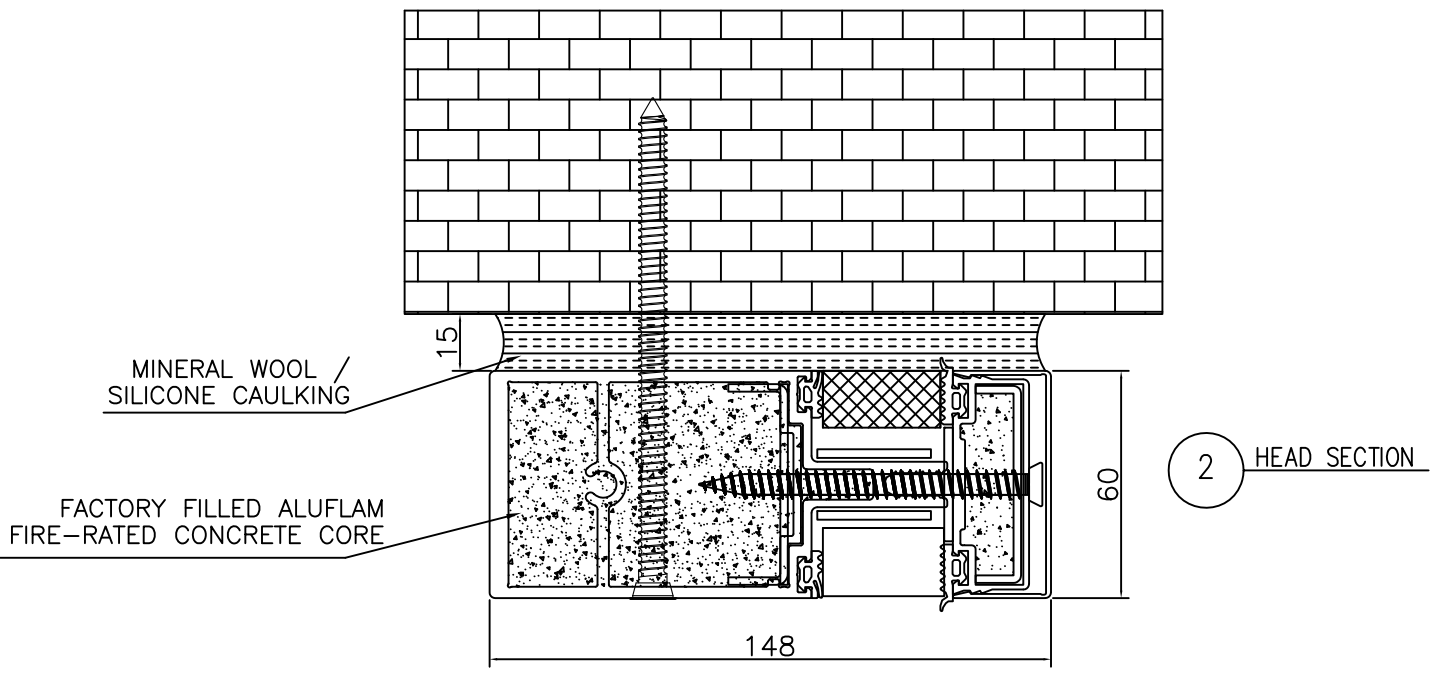
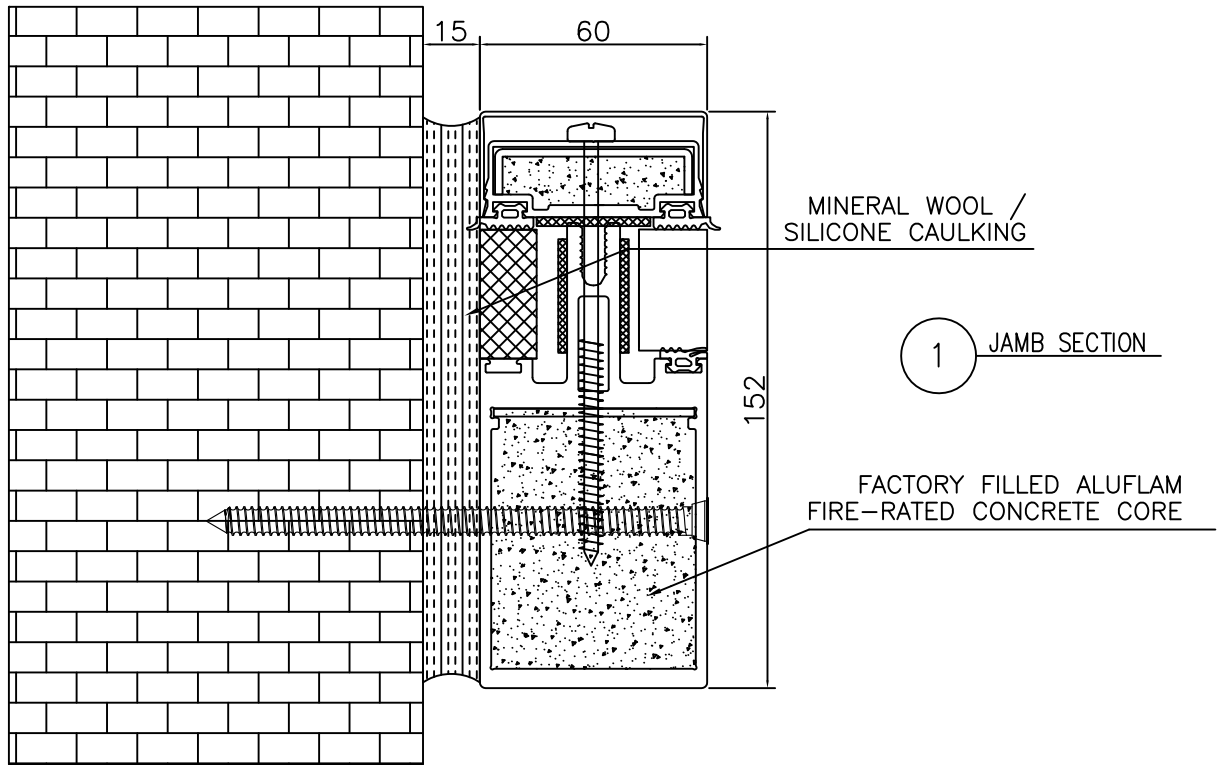
90 MINUTE FIRE-RATED ALUMINUM CURTAIN WALL

- 1x(h)148mm+ 1x(v)151mm standard framing members
- Available in Anodized, Powdercoated & Architectural Painted finishes
- Interior and exterior installation
- Delivered fully assembled - or segmented for ease of transport/handling
- 90 minute rated per IFCI-572
- Please refer to data sheet for max. sizes / ratings



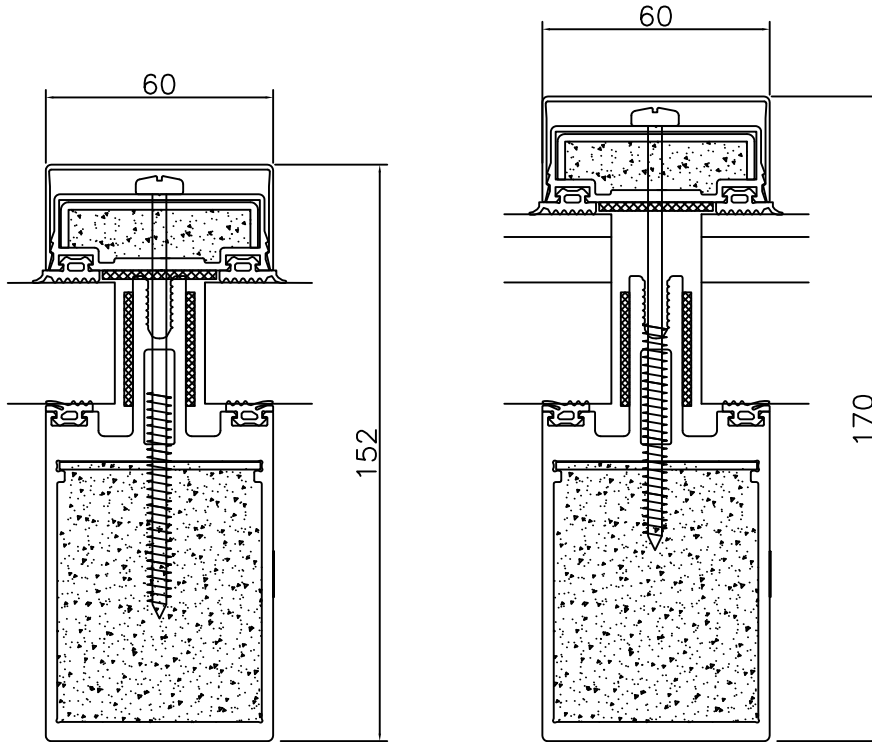
PROPRIETARY AND CONFIDENTIAL
 THE INFORMATION CONTAINED IN THIS
 DRAWING IS THE SOLE PROPERTY OF
 ALUFLAM. ANY
 REPRODUCTION IN PART OR AS A WHOLE
 WITHOUT THE WRITTEN PERMISSION OF
 ALUFLAM IS PROHIBITED.

		DIMENSIONS ARE IN MILLIMETERS		NAME	DATE	AW60 system	
		TOLERANCES:		DRAWN	I.Nachev		
		FRACTIONAL ±		CHECKED	Z.Meironas	2010.02.12	90 MINUTE FIRE-RATED CURTAIN WALL
		ANGULAR: MACH ± BEND ±		ENG APPR.			
		TWO PLACE DECIMAL ±		MFG APPR.			
		THREE PLACE DECIMAL ±		Q.A.			
		MATERIAL		COMMENTS:			SIZE DWG. NO. 001 REV.
NEXT ASSY	USED ON	FINISH					
APPLICATION				CW-1			WEIGHT:
							SHEET 1 OF 4



PROPRIETARY AND CONFIDENTIAL
 THE INFORMATION CONTAINED IN THIS
 DRAWING IS THE SOLE PROPERTY OF
 ALUFLAM. ANY
 REPRODUCTION IN PART OR AS A WHOLE
 WITHOUT THE WRITTEN PERMISSION OF
 ALUFLAM IS PROHIBITED.

		DIMENSIONS ARE IN MILLIMETERS		NAME	DATE	AW60 system
		TOLERANCES:		DRAWN	I.Nachev	
		FRACTIONAL ±		CHECKED	Z.Meironas	2010.02.12
		ANGULAR: MACH ± BEND ±		ENG APPR.		
		TWO PLACE DECIMAL ±		MFG APPR.		
		THREE PLACE DECIMAL ±		Q.A.		
		MATERIAL		COMMENTS:		90 MINUTE FIRE-RATED CURTAIN WALL
NEXT ASSY	USED ON	FINISH				
APPLICATION						
				SIZE	DWG. NO.	REV.
				A	002	
				CW-2	WEIGHT:	SHEET 2 OF 4



6mm Hardcoat Low-E Outboard Lite
12 mm Air Space

32 mm SGG Contraflam N2

NB!! * (50 mm Overall Glass Thickness)

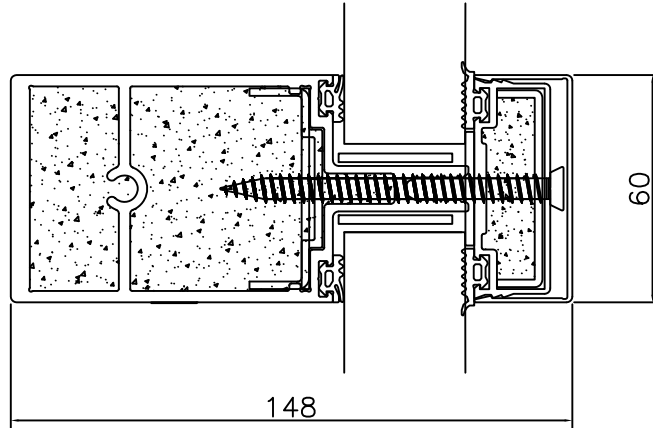
3 VERT. SECTION

3A VERT. SECTION (EXT. INSTALL)
CONTRAFLAM 120 MIN IGU

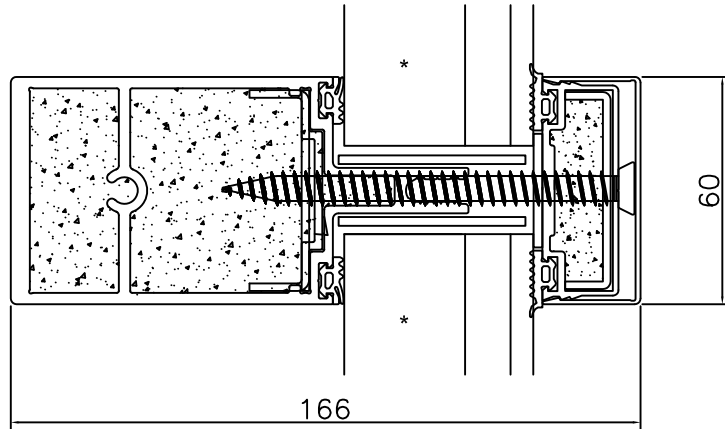


PROPRIETARY AND CONFIDENTIAL
THE INFORMATION CONTAINED IN THIS
DRAWING IS THE SOLE PROPERTY OF
ALUFLAM. ANY
REPRODUCTION IN PART OR AS A WHOLE
WITHOUT THE WRITTEN PERMISSION OF
ALUFLAM IS PROHIBITED.

		DIMENSIONS ARE IN MILLIMETERS		NAME	DATE	AW60 system
		TOLERANCES:		DRAWN	I.Nachev	
		FRACTIONAL ±		CHECKED	Z.Meironas	2010.02.12
		ANGULAR: MACH ± BEND ±		ENG APPR.		
		TWO PLACE DECIMAL ±		MFG APPR.		
		THREE PLACE DECIMAL ±		Q.A.		
		MATERIAL		COMMENTS:		90 MINUTE FIRE-RATED CURTAIN WALL
NEXT ASSY	USED ON	FINISH				
APPLICATION						
				SIZE	DWG. NO.	REV.
				A	003	
				CW-3	WEIGHT:	SHEET 3 OF 4



4 HOR. SECTION



4A HOR. SECTION (EXT. INSTALL)
CONTRAFLAM 90 MIN IGU



PROPRIETARY AND CONFIDENTIAL
THE INFORMATION CONTAINED IN THIS
DRAWING IS THE SOLE PROPERTY OF
ALUFLAM. ANY
REPRODUCTION IN PART OR AS A WHOLE
WITHOUT THE WRITTEN PERMISSION OF
ALUFLAM IS PROHIBITED.

		DIMENSIONS ARE IN MILLIMETERS		NAME	DATE	AW60 system	
		TOLERANCES:		DRAWN	I.Nachev	2010.02.07	90 MINUTE FIRE-RATED CURTAIN WALL
		FRACTIONAL ±		CHECKED	Z.Meironas	2010.02.12	
		ANGULAR: MACH ± BEND ±		ENG APPR.			
		TWO PLACE DECIMAL ±		MFG APPR.			
		THREE PLACE DECIMAL ±		Q.A.			
		MATERIAL		COMMENTS:			
NEXT ASSY	USED ON	FINISH					SIZE DWG. NO. 004
APPLICATION							REV.
				CW-4		WEIGHT:	SHEET 4 OF 4