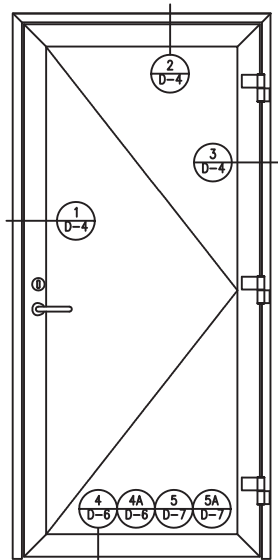
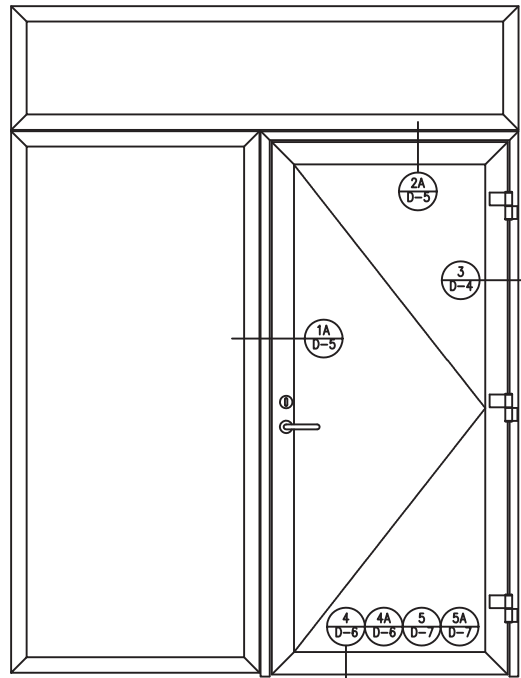


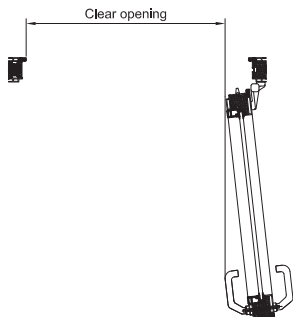
- 85 mm standard profile thickness
- Maximum door opening 1300x2300mm (SD) / 2500x2500 mm (DD)
- Available in Anodized, Powdercoated and Architectural Painted finishes
- Interior and exterior installation
- Factory finished, assembled, and ready for installation
- Glazing stops to accommodate various glass thicknesses (30/45/60 minute) – see page 12
- Door frames integrate with Aluflam Storefront & Curtainwall Systems for sidelites/transoms.



Single Door (SD)
(RHR shown)



Door Shown w/ transom
& Sidelite



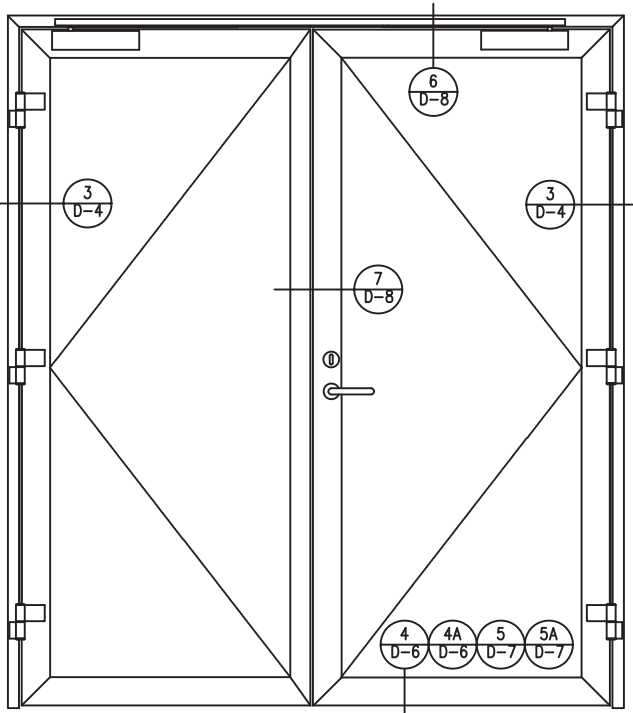
		DIMENSIONS ARE IN MILLIMETERS		NAME	DATE
		TOLERANCES:		DRAWN	I.Nachev 2010.02.07
		FRACTIONAL ±		CHECKED	Z.Meironas 2010.02.12
		ANGULAR: MACH ± BEND ±		ENG APPR.	
		TWO PLACE DECIMAL ±		MFG APPR.	
		THREE PLACE DECIMAL ±		Q.A.	
		MATERIAL		COMMENTS:	
NEXT ASSY	USED ON	FINISH			
APPLICATION					

30/45/60 MINUTE FIRE-RATED FULL VISION DOORS

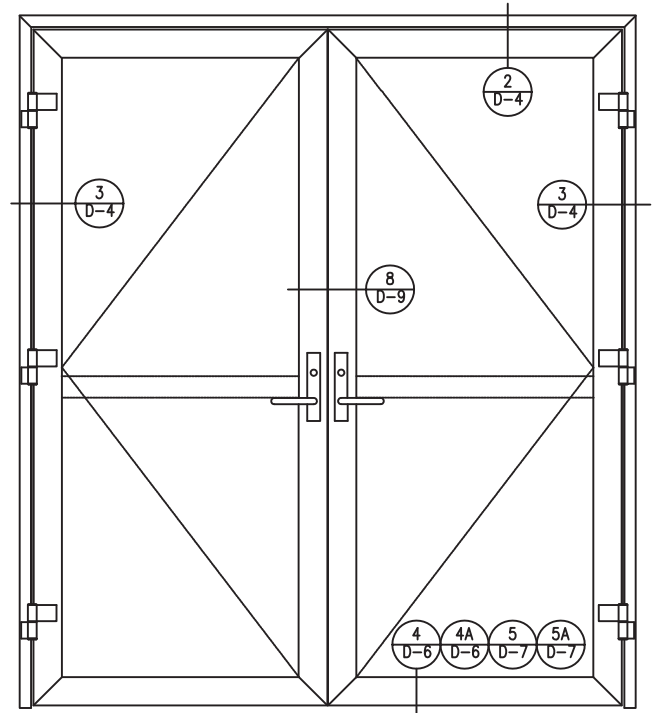
SIZE	DWG. NO.	REV.
A	001	
DO-1	WEIGHT:	SHEET 1 OF 7



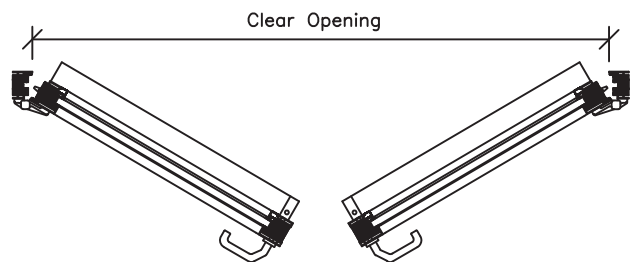
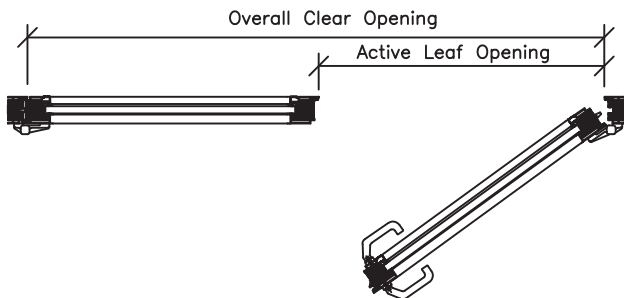
PROPRIETARY AND CONFIDENTIAL
THE INFORMATION CONTAINED IN THIS
DRAWING IS THE SOLE PROPERTY OF
ALUFLAM. ANY
REPRODUCTION IN PART OR AS A WHOLE
WITHOUT THE WRITTEN PERMISSION OF
ALUFLAM IS PROHIBITED.



Double Door - Active/Fixed (DD-AF)
(RHR shown)



Double Door - Active/Active (DD-AA)
(LHR/RHR shown)



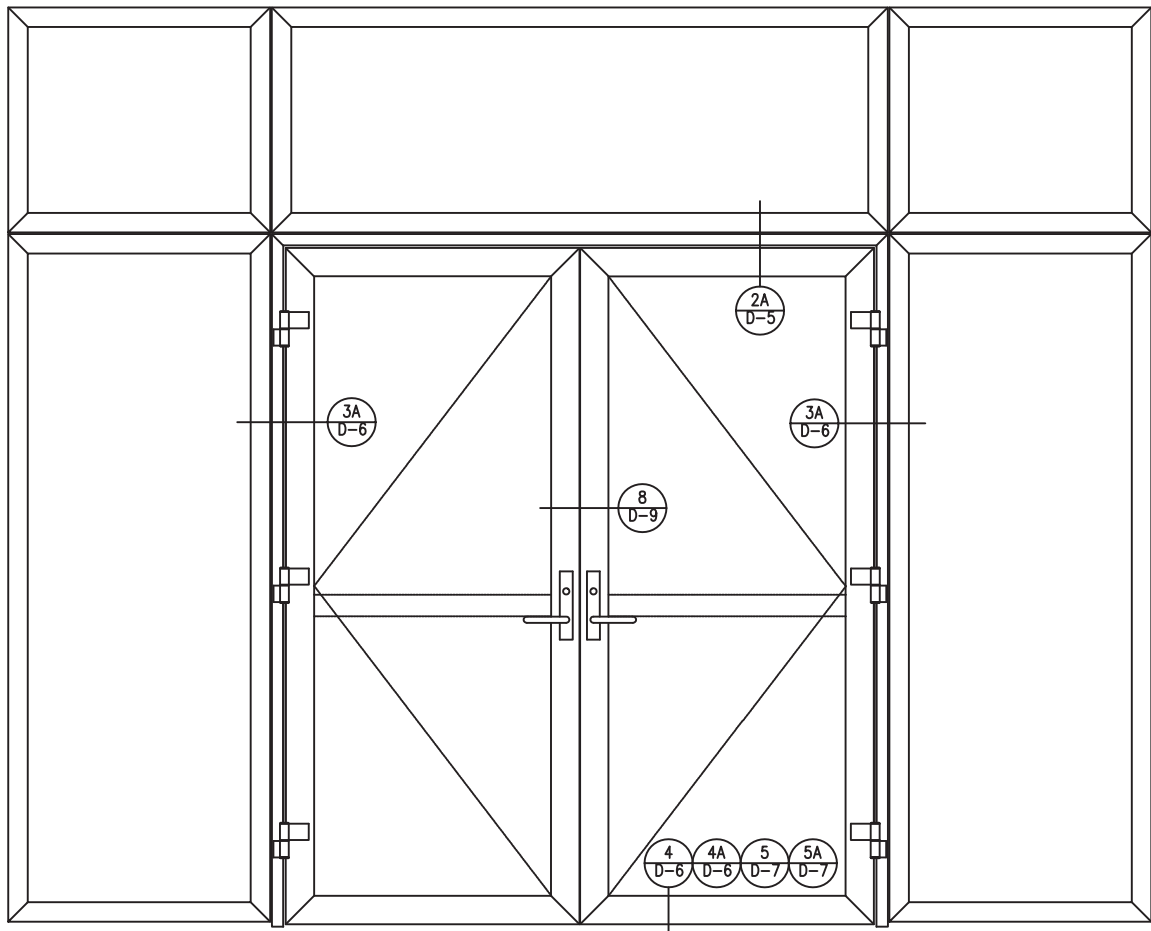
PROPRIETARY AND CONFIDENTIAL
THE INFORMATION CONTAINED IN THIS
DRAWING IS THE SOLE PROPERTY OF
ALUFLAM. ANY
REPRODUCTION IN PART OR AS A WHOLE
WITHOUT THE WRITTEN PERMISSION OF
ALUFLAM IS PROHIBITED.

		DIMENSIONS ARE IN MILLIMETERS		NAME	DATE
		TOLERANCES:		DRAWN	I.Nachev
		FRACTIONAL ±		CHECKED	Z.Meironas
		ANGULAR: MACH ± BEND ±		ENG APPR.	
		TWO PLACE DECIMAL ±		MFG APPR.	
		THREE PLACE DECIMAL ±		Q.A.	
		MATERIAL		COMMENTS:	
NEXT ASSY	USED ON	FINISH			
APPLICATION					
30/45/60 MINUTE FIRE-RATED FULL VISION DOORS					
SIZE	DWG. NO.				REV.
A	002				
DO-2	WEIGHT:				SHEET 2 OF 12

SCALE: NONE

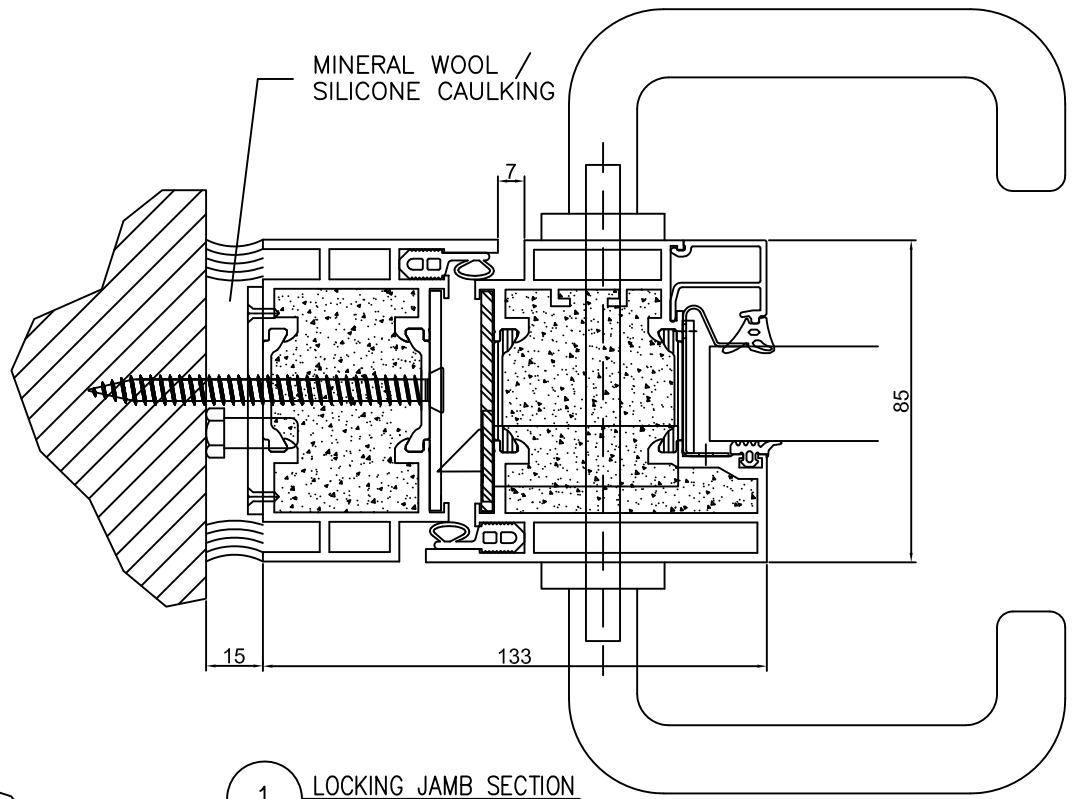
30/45/60 MINUTE FIRE-RATED FULL
VISION DOORS W/ TRANSOM & SIDELITE(S)

D - 3 of 12



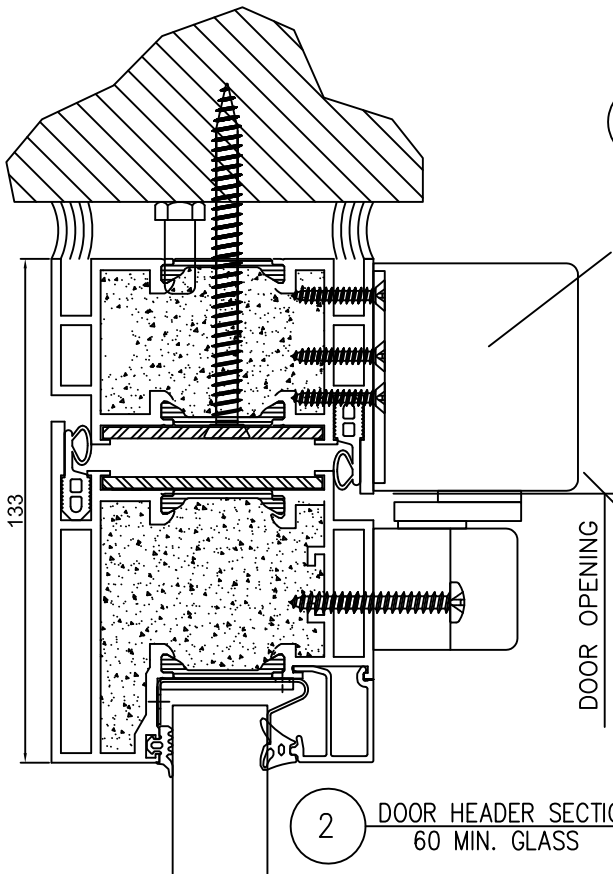
PROPRIETARY AND CONFIDENTIAL
THE INFORMATION CONTAINED IN THIS
DRAWING IS THE SOLE PROPERTY OF
ALUFLAM. ANY
REPRODUCTION IN PART OR AS A WHOLE
WITHOUT THE WRITTEN PERMISSION OF
ALUFLAM IS PROHIBITED.

		DIMENSIONS ARE IN MILLIMETERS		NAME	DATE	30/45/60 MINUTE FIRE-RATED FULL VISION DOORS with transom&side lite(s)	
		TOLERANCES:		DRAWN	I.Nachev		2010.02.07
		FRACTIONAL ±		CHECKED	Z.Meironas		2010.02.12
		ANGULAR: MACH ± BEND ±		ENG APPR.			
		TWO PLACE DECIMAL ±		MFG APPR.			
		THREE PLACE DECIMAL ±		Q.A.			
		MATERIAL		COMMENTS:			
NEXT ASSY	USED ON	FINISH		SIZE DWG. NO.		REV.	
APPLICATION				A 003			
				D0-3		WEIGHT: SHEET 3 OF 12	

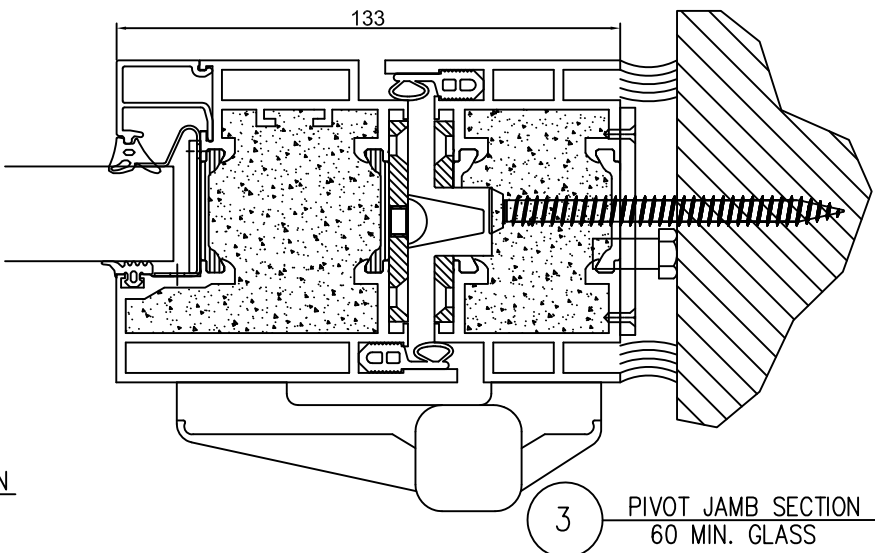


1 LOCKING JAMB SECTION
60 MIN. GLASS

Push-side mounting: roughly 90° opening
 Pull-side mounting: roughly 170° opening
 (Always use floor stop or other means of limiting opening range)



2 DOOR HEADER SECTION
60 MIN. GLASS



3 PIVOT JAMB SECTION
60 MIN. GLASS



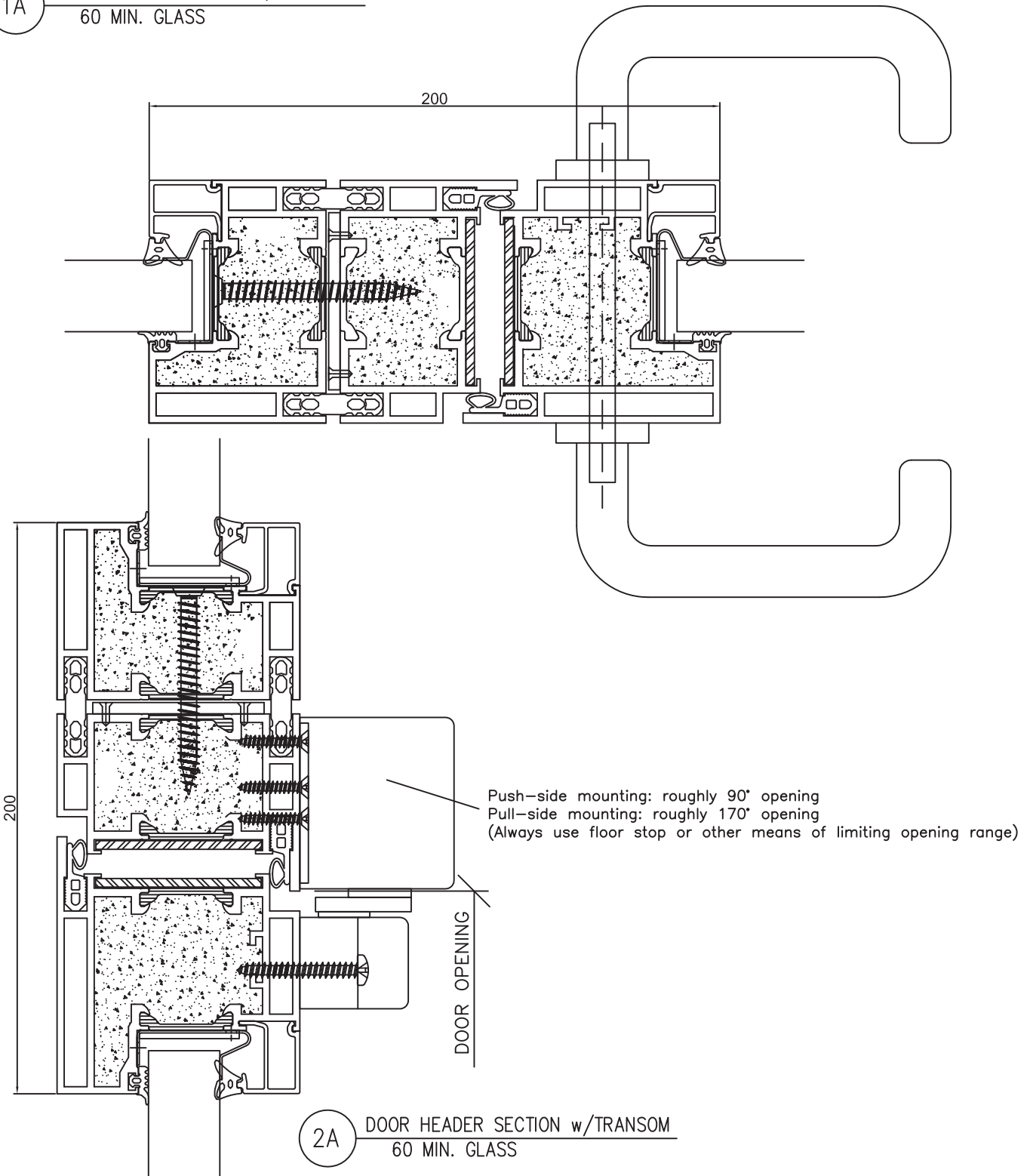
PROPRIETARY AND CONFIDENTIAL
 THE INFORMATION CONTAINED IN THIS
 DRAWING IS THE SOLE PROPERTY OF
 ALUFLAM. ANY
 REPRODUCTION IN PART OR AS A WHOLE
 WITHOUT THE WRITTEN PERMISSION OF
 ALUFLAM IS PROHIBITED.

		DIMENSIONS ARE IN MILLIMETERS		NAME	DATE
		TOLERANCES:		DRAWN	I.Nachev 2010.02.07
		FRACTIONAL ±		CHECKED	Z.Meironas 2010.02.12
		ANGULAR: MACH ± BEND ±		ENG APPR.	
		TWO PLACE DECIMAL ±		MFG APPR.	
		THREE PLACE DECIMAL ±		Q.A.	
		MATERIAL		COMMENTS:	
NEXT ASSY	USED ON	FINISH			
APPLICATION					

30/45/60 MINUTE FIRE-RATED FULL VISION DOORS

SIZE	DWG. NO.	REV.
A	004	
D0-4	WEIGHT:	SHEET 4 OF 12

1A LOCKING JAMB SECTION w/ SIDELITE
60 MIN. GLASS



2A DOOR HEADER SECTION w/TRANSOM
60 MIN. GLASS

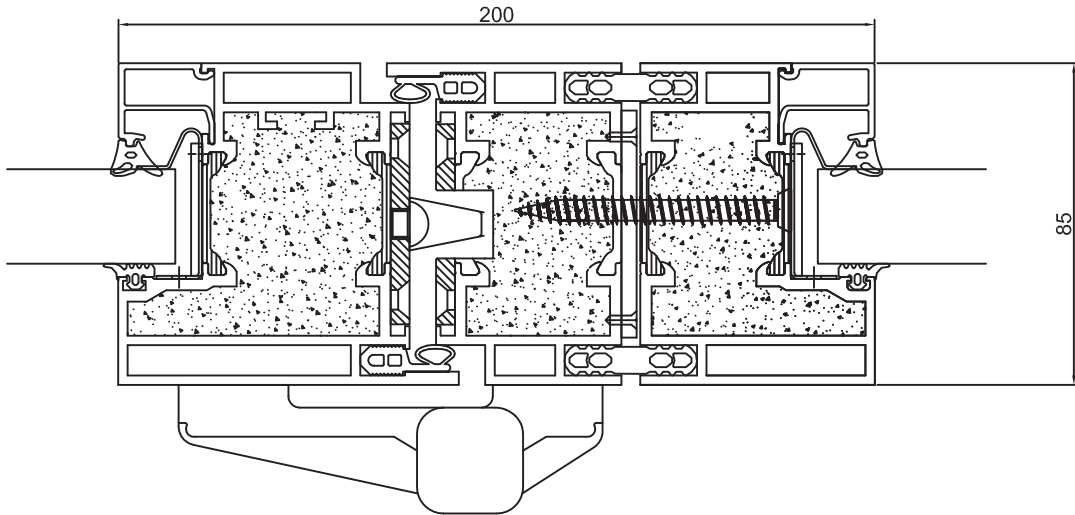


PROPRIETARY AND CONFIDENTIAL
THE INFORMATION CONTAINED IN THIS
DRAWING IS THE SOLE PROPERTY OF
ALUFLAM. ANY
REPRODUCTION IN PART OR AS A WHOLE
WITHOUT THE WRITTEN PERMISSION OF
ALUFLAM IS PROHIBITED.

		DIMENSIONS ARE IN MILLIMETERS		NAME	DATE
		TOLERANCES:		DRAWN	I.Nachev 2010.02.07
		FRACTIONAL ±		CHECKED	Z.Meironas 2010.02.12
		ANGULAR: MACH ± BEND ±		ENG APPR.	
		TWO PLACE DECIMAL ±		MFG APPR.	
		THREE PLACE DECIMAL ±		Q.A.	
		MATERIAL		COMMENTS:	
NEXT ASSY	USED ON	FINISH			
APPLICATION					

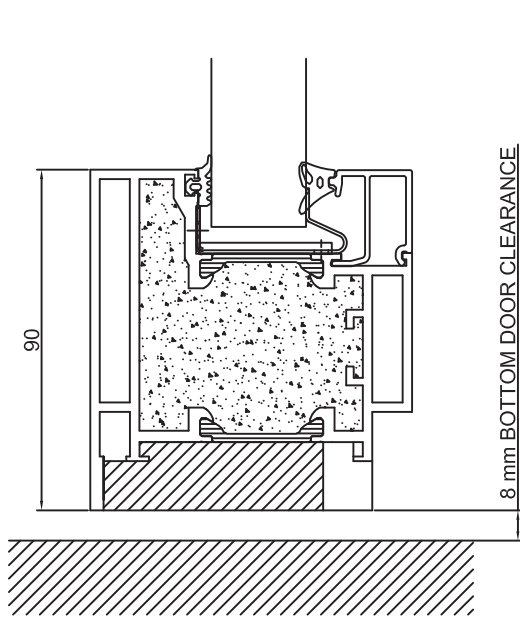
30/45/60 MINUTE FIRE-RATED FULL VISION DOORS

SIZE	DWG. NO.	REV.
A	005	
D0-5	WEIGHT:	SHEET 5 OF 12

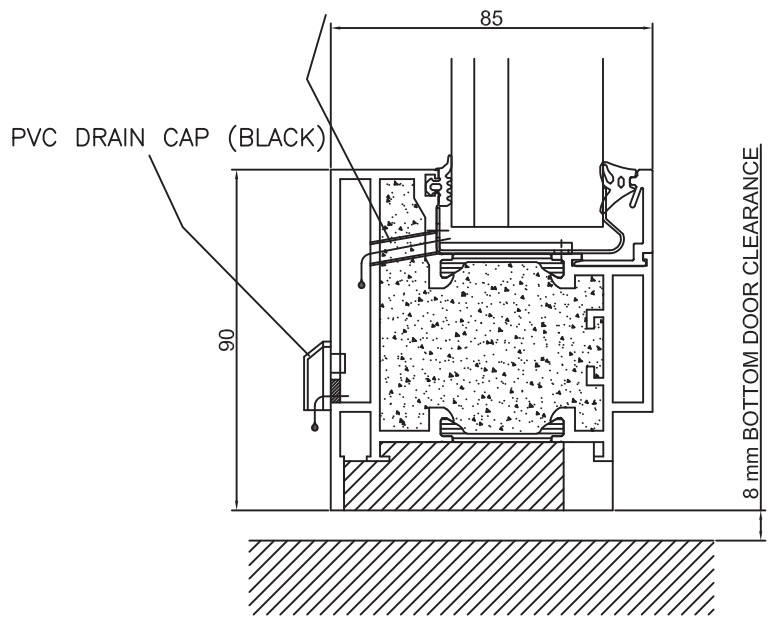


3A PIVOT JAMB SECTION w/ SIDELITE
60 MIN. GLASS

PVC DRAIN TUBE, DIAMETER 170 MM



4 BOTTOM DOOR RAIL SECTION
60 MIN. GLASS



4A BOTTOM DOOR RAIL SECTION (FOR EXT. INSTALL)
60 MIN. GLASS

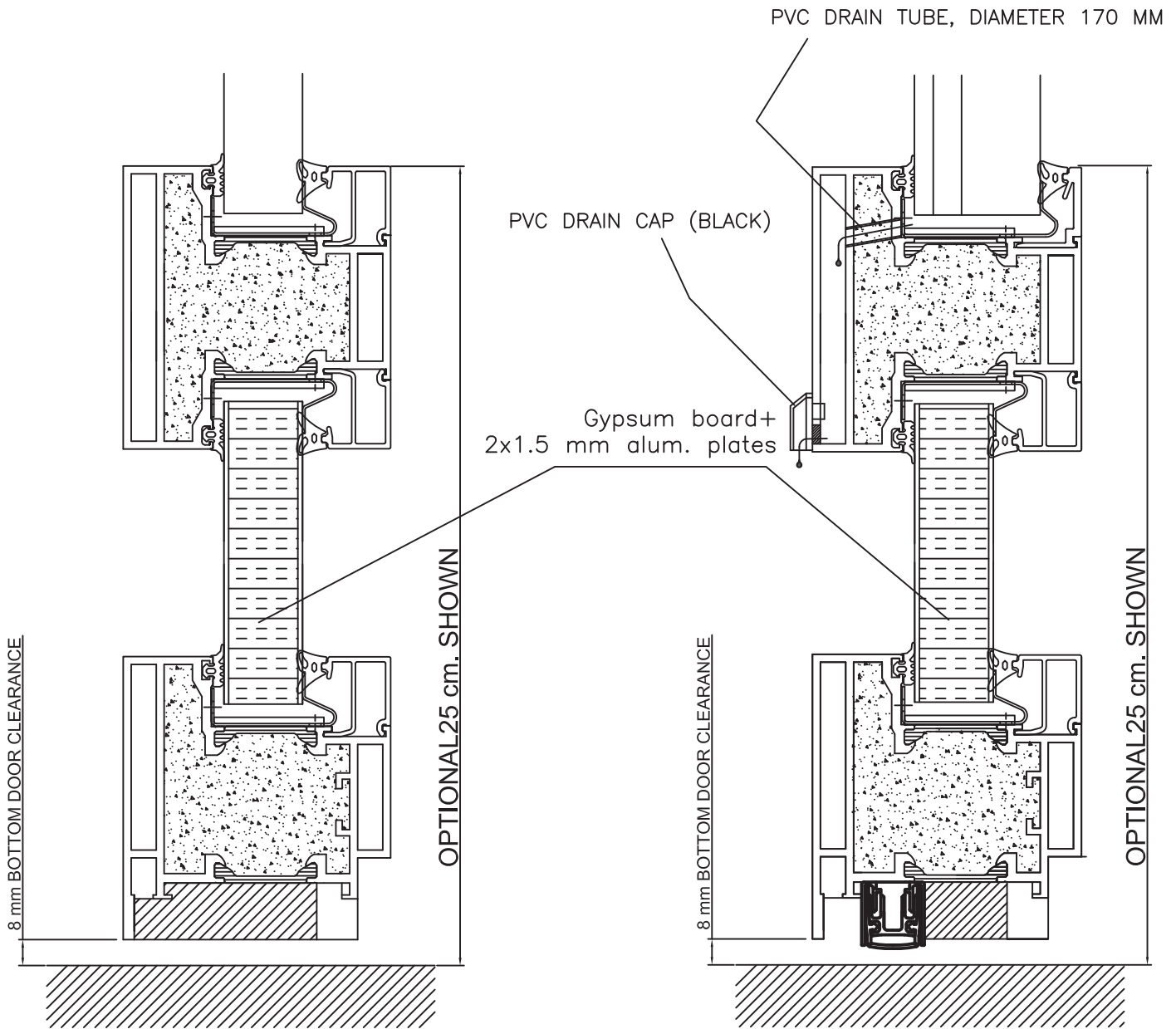


PROPRIETARY AND CONFIDENTIAL
THE INFORMATION CONTAINED IN THIS
DRAWING IS THE SOLE PROPERTY OF
ALUFLAM. ANY
REPRODUCTION IN PART OR AS A WHOLE
WITHOUT THE WRITTEN PERMISSION OF
ALUFLAM IS PROHIBITED.

		DIMENSIONS ARE IN MILLIMETERS		NAME	DATE
		TOLERANCES:		DRAWN	I.Nachev
		FRACTIONAL ±		CHECKED	Z.Meironas
		ANGULAR: MACH ± BEND ±		ENG APPR.	
		TWO PLACE DECIMAL ±		MFG APPR.	
		THREE PLACE DECIMAL ±		Q.A.	
		MATERIAL		COMMENTS:	
NEXT ASSY	USED ON	FINISH			
APPLICATION					

30/45/60 MINUTE FIRE-RATED FULL VISION DOORS

SIZE	DWG. NO.	REV.
A	006	
DO-6	WEIGHT:	SHEET 6 OF 12



5 BOTTOM DOOR RAIL SECTION
60 MIN. GLASS

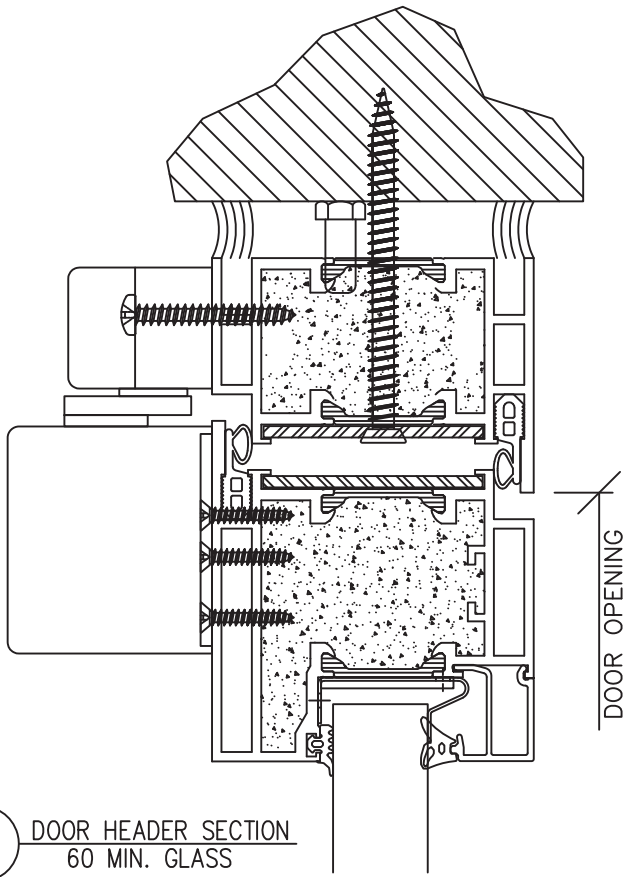
5A BOTTOM DOOR RAIL SECTION SHOWN W/
AUTO FLOOR SEAL & DRAINAGE FOR EXTERIOR INSTALL
60 MIN. GLASS

OPTION

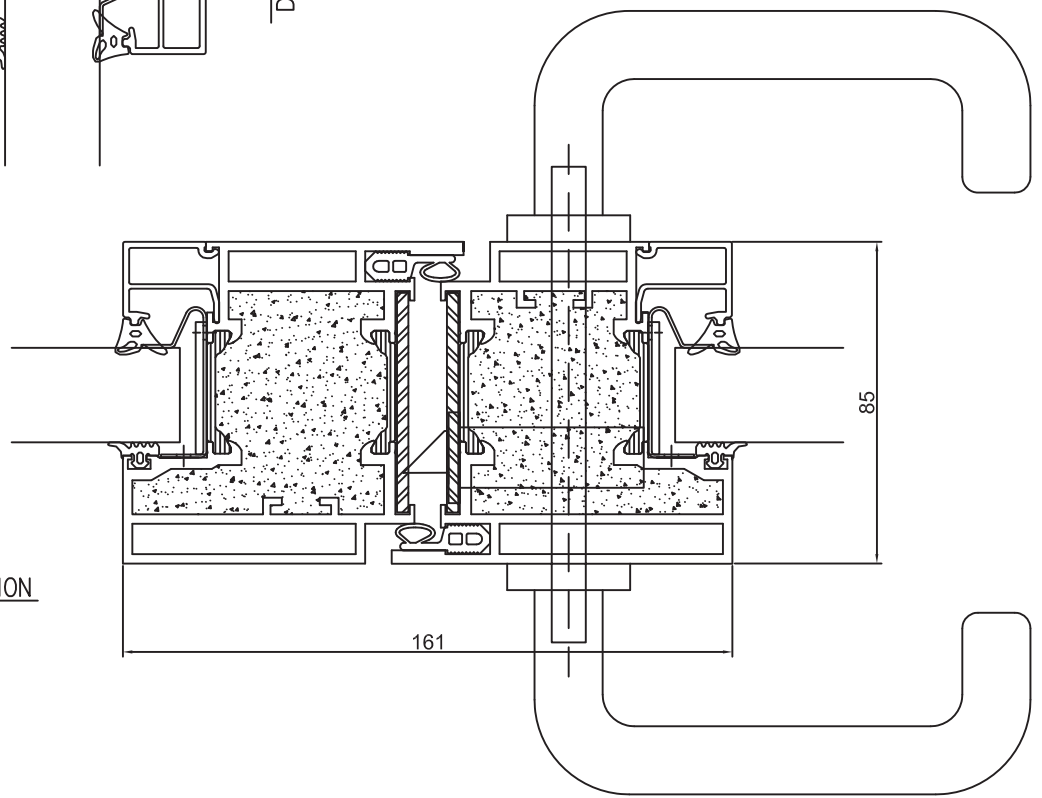


PROPRIETARY AND CONFIDENTIAL
THE INFORMATION CONTAINED IN THIS
DRAWING IS THE SOLE PROPERTY OF
ALUFLAM. ANY
REPRODUCTION IN PART OR AS A WHOLE
WITHOUT THE WRITTEN PERMISSION OF
ALUFLAM IS PROHIBITED.

		DIMENSIONS ARE IN MILLIMETERS		NAME	DATE
		TOLERANCES:		DRAWN	I.Nachev 2010.02.07
		FRACTIONAL ±		CHECKED	Z.Meironas 2010.02.12
		ANGULAR: MACH ± BEND ±		ENG APPR.	
		TWO PLACE DECIMAL ±		MFG APPR.	
		THREE PLACE DECIMAL ±		Q.A.	
		MATERIAL		COMMENTS:	
NEXT ASSY	USED ON	FINISH			
APPLICATION					
30/45/60 MINUTE FIRE-RATED FULL VISION DOORS					
SIZE	DWG. NO.				REV.
A	007				
DO-7	WEIGHT:				SHEET 7 OF 12



6 DOOR HEADER SECTION
60 MIN. GLASS

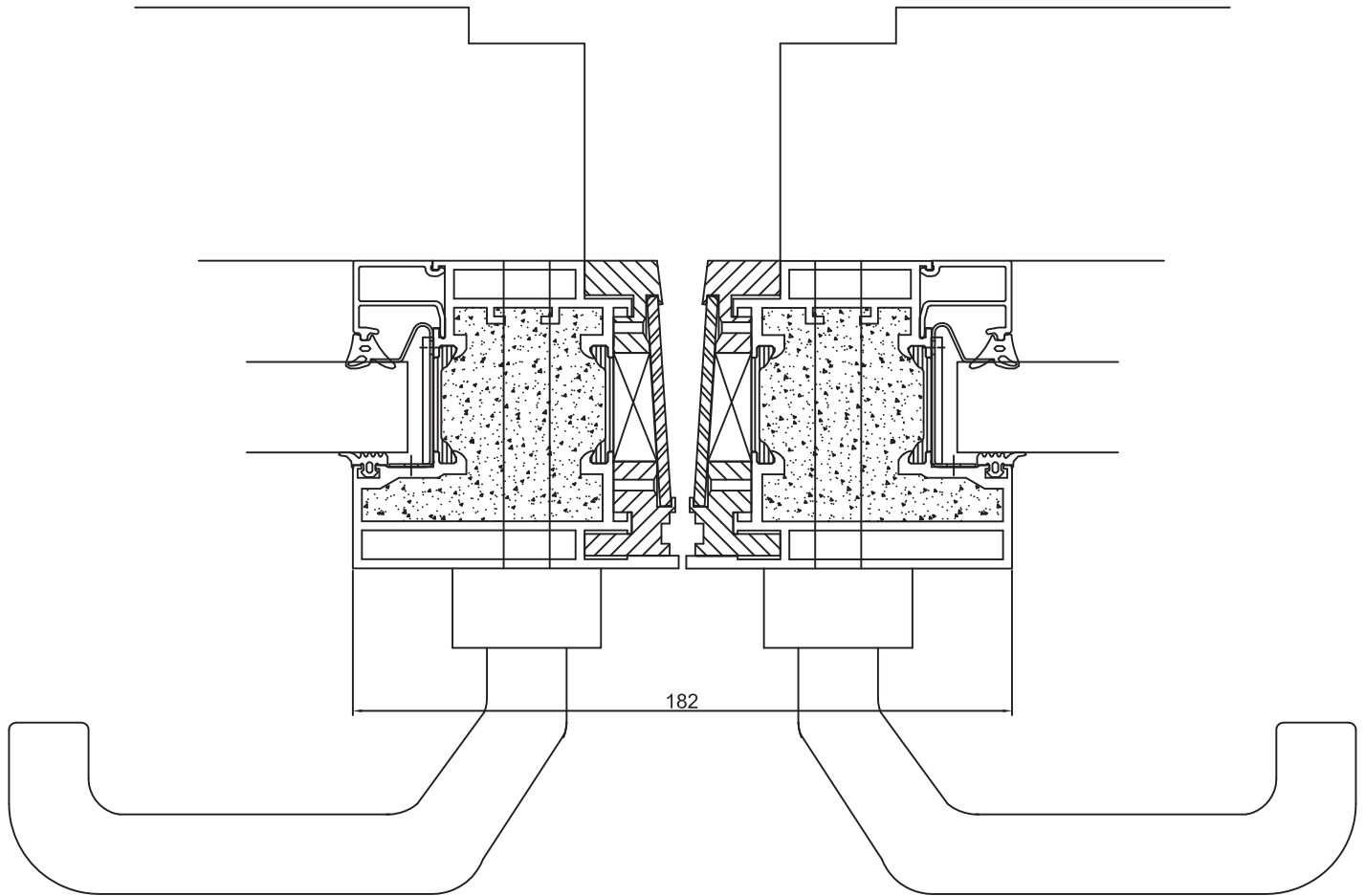


7 MEETING STILE SECTION
60 MIN. GLASS



PROPRIETARY AND CONFIDENTIAL
THE INFORMATION CONTAINED IN THIS
DRAWING IS THE SOLE PROPERTY OF
ALUFLAM. ANY
REPRODUCTION IN PART OR AS A WHOLE
WITHOUT THE WRITTEN PERMISSION OF
ALUFLAM IS PROHIBITED.

		DIMENSIONS ARE IN MILLIMETERS		NAME	DATE	30/45/60 MINUTE FIRE-RATED FULL VISION DOORS	
		TOLERANCES:		DRAWN	I.Nachev		2010.02.07
		FRACTIONAL ±		CHECKED	Z.Meironas		2010.02.12
		ANGULAR: MACH ± BEND ±		ENG APPR.			
		TWO PLACE DECIMAL ±		MFG APPR.			
		THREE PLACE DECIMAL ±		Q.A.			
		MATERIAL		COMMENTS:			
NEXT ASSY	USED ON	FINISH					
APPLICATION							
SIZE	DWG. NO.				REV.		
A	008						
DO-8	WEIGHT:				SHEET 8 OF 12		



8 MEETING STILE SECTION
60 MIN. GLASS



PROPRIETARY AND CONFIDENTIAL
THE INFORMATION CONTAINED IN THIS
DRAWING IS THE SOLE PROPERTY OF
ALUFLAM. ANY
REPRODUCTION IN PART OR AS A WHOLE
WITHOUT THE WRITTEN PERMISSION OF
ALUFLAM IS PROHIBITED.

		DIMENSIONS ARE IN MILLIMETERS		NAME	DATE
		TOLERANCES:		DRAWN	I.Nachev 2010.02.07
		FRACTIONAL ±		CHECKED	Z.Meironas 2010.02.12
		ANGULAR: MACH ± BEND ±		ENG APPR.	
		TWO PLACE DECIMAL ±		MFG APPR.	
		THREE PLACE DECIMAL ±		Q.A.	
		MATERIAL		COMMENTS:	
NEXT ASSY	USED ON	FINISH			
APPLICATION				30/45/60 MINUTE FIRE-RATED FULL VISION DOORS	
				SIZE	DWG. NO. 009
				DO-9	WEIGHT:
				REV.	
				SHEET 9 OF 12	

HARDWARE SCHEDULE

		SD	DD-AF	DD-AA
Surface Closer	Dorma, TS93	1	-	2
Surface Closer / Coordinator	Dorma, TS93 GSR	-	1	-
Surface applied hinges	Dr. Hahn Türband 4	3	6	6
Mortise Lock	Assa Abloy 220-35	1	1	-
Lever handles, Stainless steel	Randi-line U-form	2	2	-
Rose, Satin Stainless		2	2	-
Spindle, Straight		1	1	-
Mortise Cylinder	Excl.	1	1	-
Cylinder Ring, Satin Stainless	**	1	1	-
Thumbturn, Extended Spindle	FSB 1709 series	1	1	-
Internal Flush Bolt Assembly	BKS B1899/1895	-	1	-
Vertical Rod Exit Device (Top Rods Only)	Dorma, F5400 Series	-	-	2
Rim Exit Device	**	OPT	OPT	-
Auto Floor Seal	Dr Hahn MK-N	OPT	OPT	OPT
Electric Strike	**	OPT	OPT	-
Kick Plate	Aluflam NA	OPT	OPT	OPT
Electric Latch retraction on Exit devices	Exit Device Manufacturer	OPT	OPT	OPT
Hinge Power Transfer	**	OPT	OPT	OPT

** variable

- This list contains standard and most commonly specified hardware options
- Please inquire about additional options
- See Accurate literature for available mortise lock functions (<http://assaabloy.com/en/com>)

		DIMENSIONS ARE IN MILLIMETERS		NAME	DATE	30/45/60 MINUTE FIRE-RATED FULL VISION DOORS	
		TOLERANCES:		DRAWN	I.Nachev		2010.02.07
		FRACTIONAL ±		CHECKED	Z.Meironas		2010.02.12
		ANGULAR: MACH ± BEND ±		ENG APPR.			
		TWO PLACE DECIMAL ±		MFG APPR.			
		THREE PLACE DECIMAL ±		Q.A.			
		MATERIAL		COMMENTS:			
NEXT ASSY	USED ON	FINISH					
APPLICATION							
SIZE	DWG. NO.					REV.	
A	010						
DO-10	WEIGHT:					SHEET 10 OF 12	

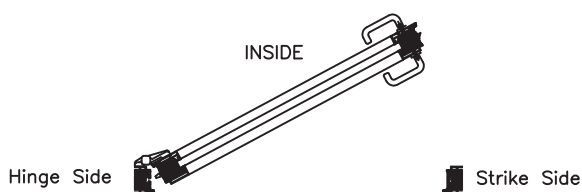
ALUFLAM

PROPRIETARY AND CONFIDENTIAL
THE INFORMATION CONTAINED IN THIS
DRAWING IS THE SOLE PROPERTY OF
ALUFLAM. ANY
REPRODUCTION IN PART OR AS A WHOLE
WITHOUT THE WRITTEN PERMISSION OF
ALUFLAM IS PROHIBITED.

SCALE: NONE

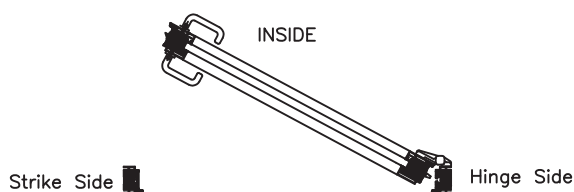
30/45/60 MINUTE FIRE-RATED FULL VISION DOORS

VingCard Systems- Direction of opening

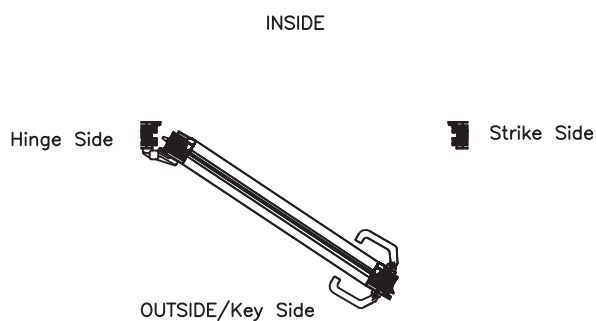


OUTSIDE/Key Side

RIGHT HAND DOOR (SWING IN)

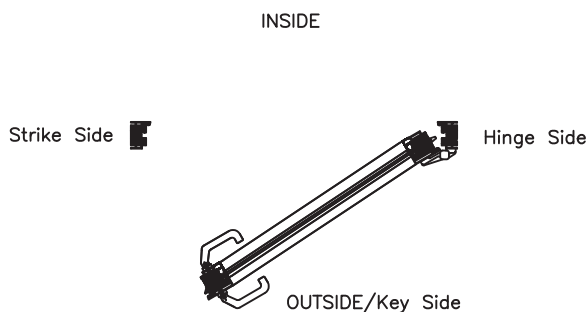


LEFT HAND DOOR (SWING IN)



OUTSIDE/Key Side

LEFT HAND REVERSE (SWING OUT)



OUTSIDE/Key Side

RIGHT HAND REVERSE (SWING OUT)



PROPRIETARY AND CONFIDENTIAL
THE INFORMATION CONTAINED IN THIS
DRAWING IS THE SOLE PROPERTY OF
ALUFLAM. ANY
REPRODUCTION IN PART OR AS A WHOLE
WITHOUT THE WRITTEN PERMISSION OF
ALUFLAM IS PROHIBITED.

		DIMENSIONS ARE IN MILLIMETERS		NAME	DATE	30/45/60 MINUTE FIRE-RATED FULL VISION DOORS	
		TOLERANCES:		DRAWN	I.Nachev		2010.02.07
		FRACTIONAL ±		CHECKED	Z.Meironas		2010.02.12
		ANGULAR: MACH ± BEND ±		ENG APPR.			
		TWO PLACE DECIMAL ±		MFG APPR.			
		THREE PLACE DECIMAL ±		Q.A.			
		MATERIAL		COMMENTS:			
NEXT ASSY	USED ON	FINISH					
APPLICATION							
SIZE	DWG. NO.				REV.		
A	011						
DO-11	WEIGHT:				SHEET 11 OF 12		

GLAZING CONFIGURATIONS

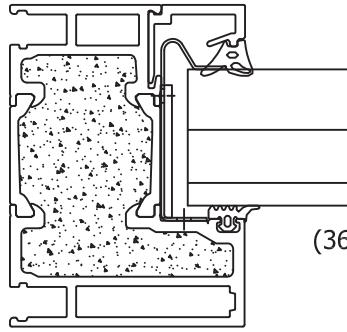
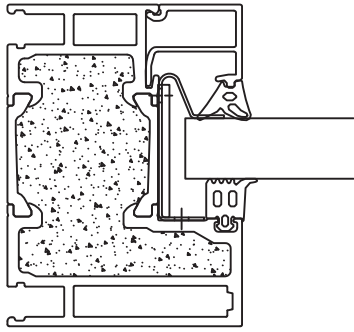
INTERIOR

EXTERIOR

(INSULATED GLASS UNITS)

30 Min. Rating - SGG Contraflam N2

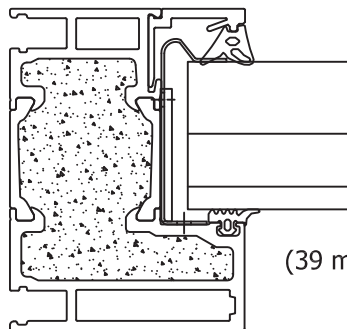
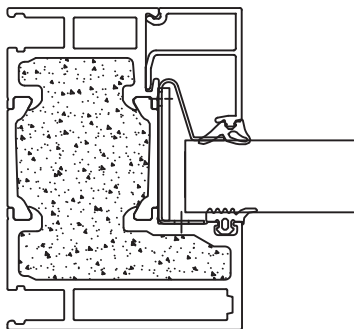
30 Min. Rating - IGU Contraflam



16 mm SGG Contraflam N2
 14 mm Air Space
 6mm Hardcoat Low-E Outboard Lite
 (36 mm Overall Glass Thickness)

45 Min. Rating - SGG Contraflam N2

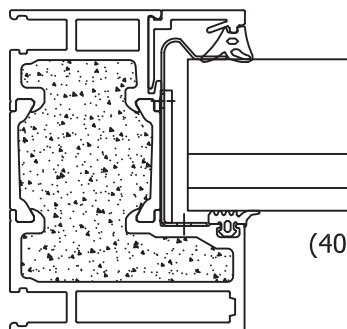
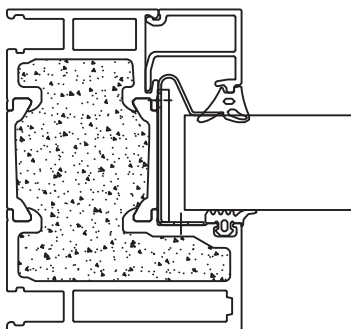
45 Min. Rating - IGU Contraflam



19 mm SGG Contraflam 45 N2
 14 mm Air Space
 6 mm Hardcoat Low-E Outboard Lite
 (39 mm Overall Glass Thickness)

60 Min. Rating - SGG Contraflam 60 N2

60 Min. Rating - IGU Contraflam 60



25 mm SGG Contraflam 60 N2
 9 mm Air Space
 6 mm Hardcoat Low-E Outboard Lite
 (40 mm Overall Glass Thickness)



PROPRIETARY AND CONFIDENTIAL
 THE INFORMATION CONTAINED IN THIS
 DRAWING IS THE SOLE PROPERTY OF
 ALUFLAM. ANY
 REPRODUCTION IN PART OR AS A WHOLE
 WITHOUT THE WRITTEN PERMISSION OF
 ALUFLAM IS PROHIBITED.

		DIMENSIONS ARE IN MILLIMETERS		NAME	DATE
		TOLERANCES:		DRAWN	I.Nachev
		FRACTIONAL ±		CHECKED	Z.Meironas
		ANGULAR: MACH ± BEND ±		ENG APPR.	
		TWO PLACE DECIMAL ±		MFG APPR.	
		THREE PLACE DECIMAL ±		Q.A.	
		MATERIAL		COMMENTS:	
NEXT ASSY	USED ON	FINISH			
APPLICATION					

30/45/60 MINUTE FIRE-RATED FULL VISION DOORS				SIZE	DWG. NO.	REV.
				A	012	
FO-12		WEIGHT:		SHEET 12 OF 12		