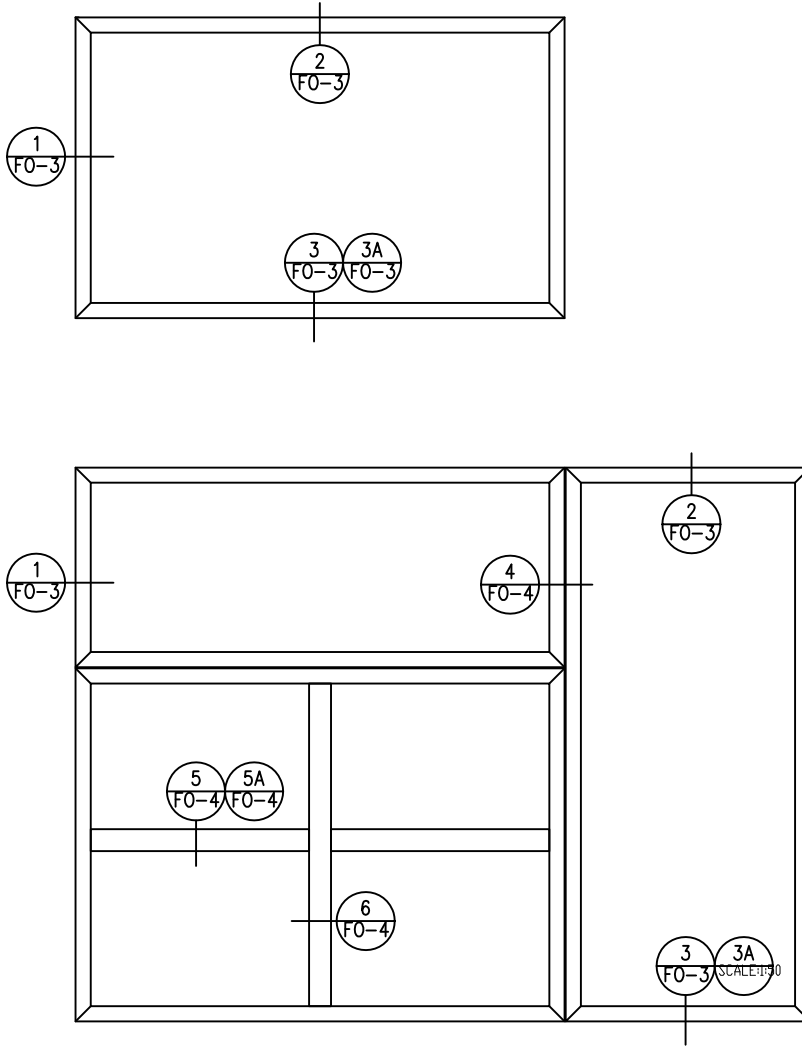


SCALE: NONE

- Max. dimensions 1300 mm Wide x 2970mm High
- Available in Anodized, Powder Coated and Architectural Painted finishes
- Interior and exterior installation
- Factory finished, assembled, and ready for installation
- Glazing stops to accommodate various glass thicknesses (30/45/60 minute) – see page 5
- Please refer to literature for max. sizes / ratings
- Surface applied muntins are available

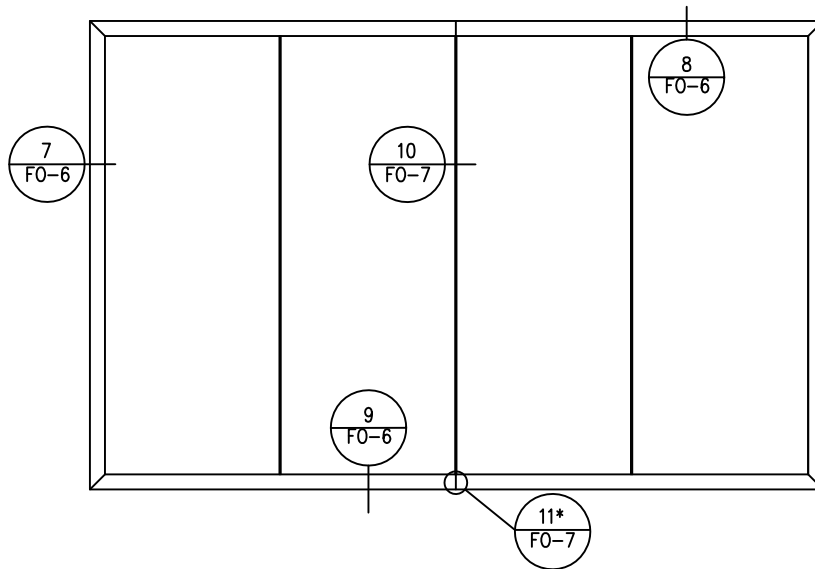


PROPRIETARY AND CONFIDENTIAL
 THE INFORMATION CONTAINED IN THIS
 DRAWING IS THE SOLE PROPERTY OF
 ALUFLAM. ANY
 REPRODUCTION IN PART OR AS A WHOLE
 WITHOUT THE WRITTEN PERMISSION OF
 ALUFLAM IS PROHIBITED.

		DIMENSIONS ARE IN MILLIMETERS		NAME	DATE	30/45/60 MINUTE FIRE-RATED FIXED OPENINGS FOR WINDOWS & WALLS	
		TOLERANCES:		DRAWN	I.Nachev		2010.02.07
		FRACTIONAL ±		CHECKED	Z.Meironas		2010.02.12
		ANGULAR: MACH ± BEND ±		ENG APPR.			
		TWO PLACE DECIMAL ±		MFG APPR.			
		THREE PLACE DECIMAL ±		Q.A.			
		MATERIAL		COMMENTS:			
NEXT ASSY	USED ON	FINISH				SIZE DWG. NO. 001 REV.	
APPLICATION						FO-1 WEIGHT: SHEET 1 OF 7	

SCALE: NONE

**EXAMPLE OF OPTIONAL BUTT GLAZED WALL SYSTEM
 (RATED AT 30 and 60 MIN. & FOR INTERIOR APPLICATIONS ONLY)
 USES SWISSFLAM & CONTRAFLAM STRUCTURE



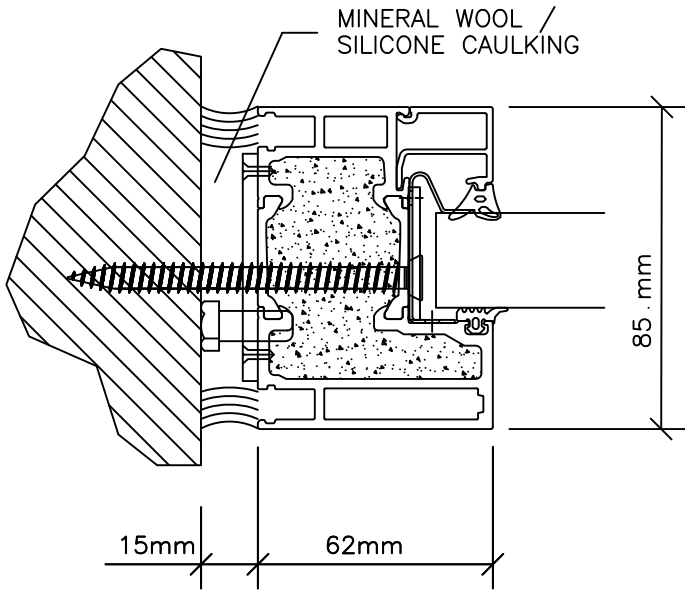
*(CONNECTION NECESSARY IF OVERALL FRAME LENGTH GREATER THAN 2400mm)



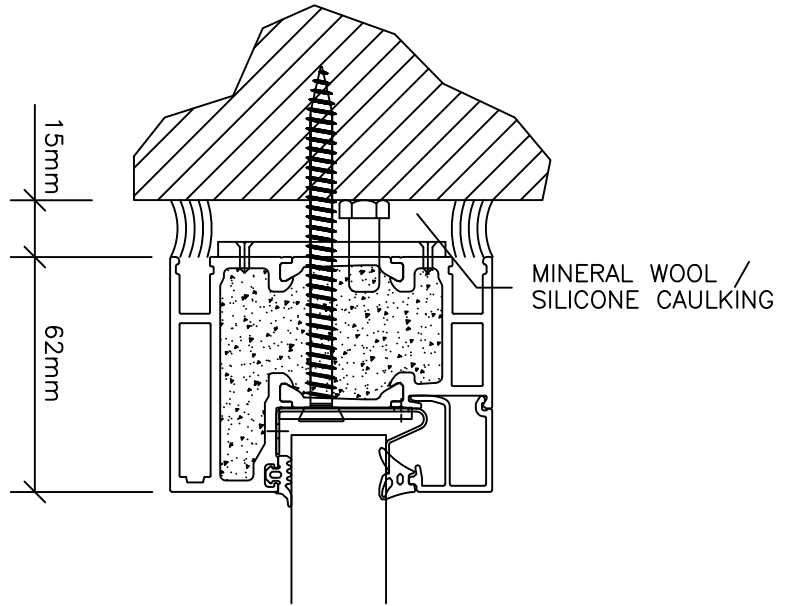
PROPRIETARY AND CONFIDENTIAL
 THE INFORMATION CONTAINED IN THIS
 DRAWING IS THE SOLE PROPERTY OF
 ALUFLAM. ANY
 REPRODUCTION IN PART OR AS A WHOLE
 WITHOUT THE WRITTEN PERMISSION OF
 ALUFLAM IS PROHIBITED.

		DIMENSIONS ARE IN MILLIMETERS		NAME	DATE	30/45/60 MINUTE FIRE-RATED FIXED OPENINGS FOR WINDOWS & WALLS	
		TOLERANCES:		DRAWN	I.Nachev		2010.02.07
		FRACTIONAL ±		CHECKED	Z.Meironas		2010.02.12
		ANGULAR: MACH ± BEND ±		ENG APPR.			
		TWO PLACE DECIMAL ±		MFG APPR.			
		THREE PLACE DECIMAL ±		Q.A.			
		MATERIAL		COMMENTS:			
NEXT ASSY	USED ON	FINISH				SIZE DWG. NO.	
APPLICATION						A 002	
						REV.	
						F0-2	
						WEIGHT:	
						SHEET 2 OF 7	

SCALE: FULL SCALE

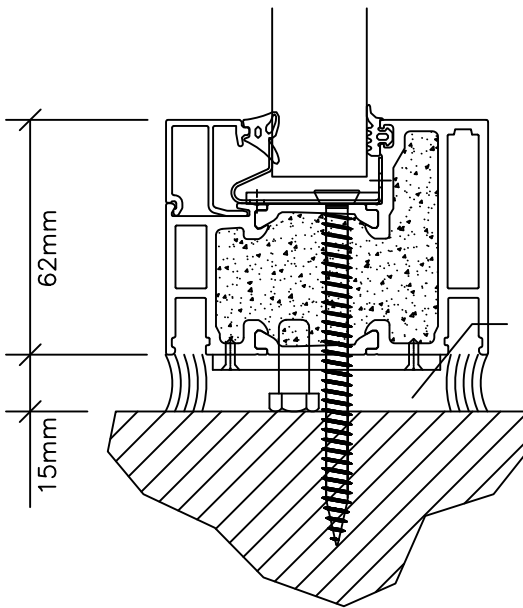


1 VERT. SECTION
60 MIN. GLASS

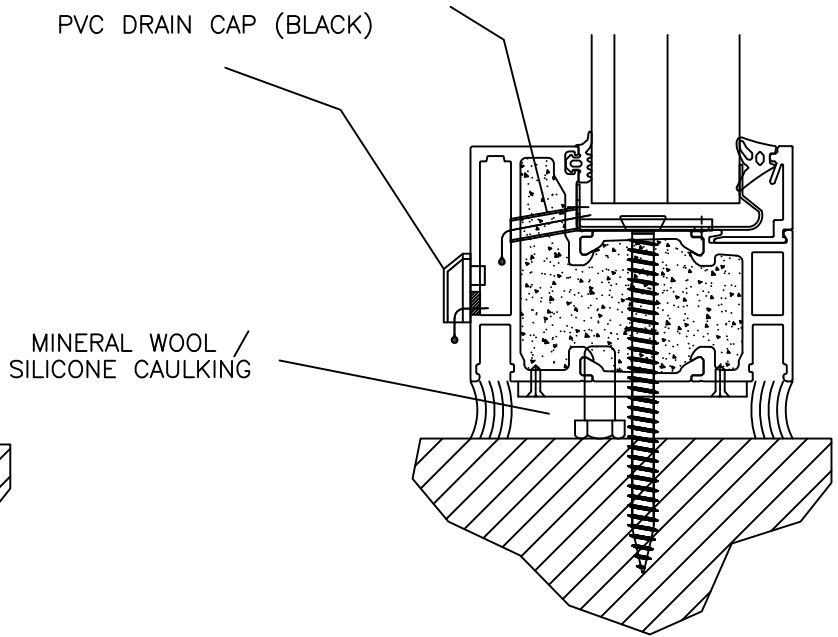


2 HEAD SECTION
60 MIN. GLASS

PVC DRAIN TUBE, DIAMETER 170mm
PVC DRAIN CAP (BLACK)



3 SILL SECTION
60 MIN. GLASS



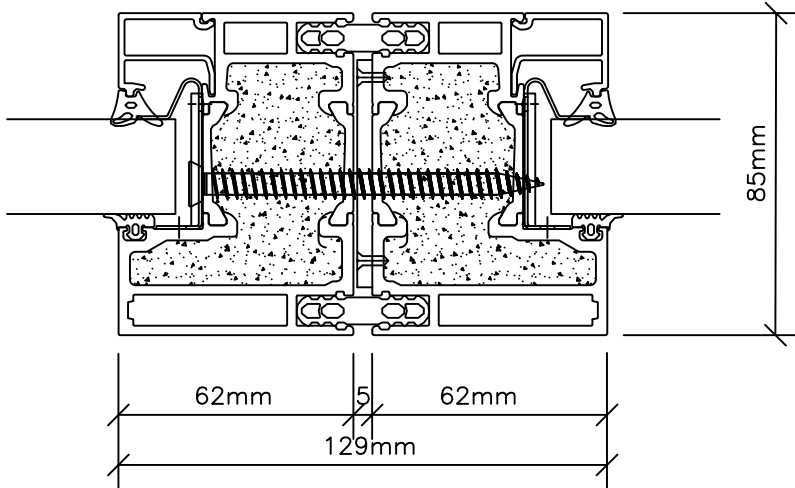
3A SILL SECTION (FOR EXTERIOR INSTALL)
60 MIN. GLASS

ALUFLAM

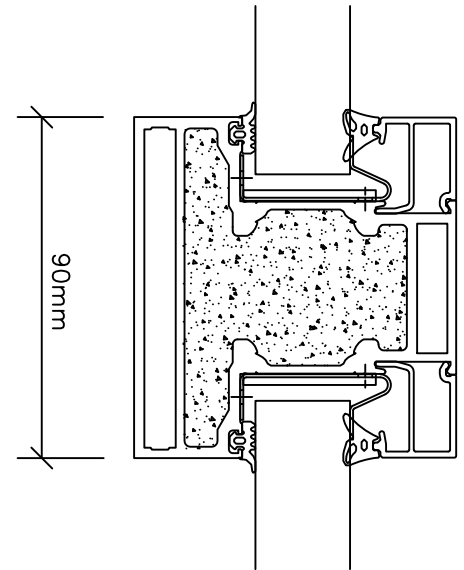
PROPRIETARY AND CONFIDENTIAL
THE INFORMATION CONTAINED IN THIS
DRAWING IS THE SOLE PROPERTY OF
ALUFLAM. ANY
REPRODUCTION IN PART OR AS A WHOLE
WITHOUT THE WRITTEN PERMISSION OF
ALUFLAM IS PROHIBITED.

		DIMENSIONS ARE IN MILLIMETERS		NAME	DATE	30/45/60 MINUTE FIRE-RATED FIXED OPENINGS FOR WINDOWS & WALLS	
		TOLERANCES:		DRAWN	I.Nachev		2010.02.07
		FRACTIONAL ±		CHECKED	Z.Meironas		2010.02.12
		ANGULAR: MACH ± BEND ±		ENG APPR.			
		TWO PLACE DECIMAL ±		MFG APPR.			
		THREE PLACE DECIMAL ±		Q.A.			
		MATERIAL		COMMENTS:			
NEXT ASSY	USED ON	FINISH				SIZE DWG. NO.	
APPLICATION						003	
						REV.	
						F0-3	
						WEIGHT:	
						SHEET 3 OF 7	

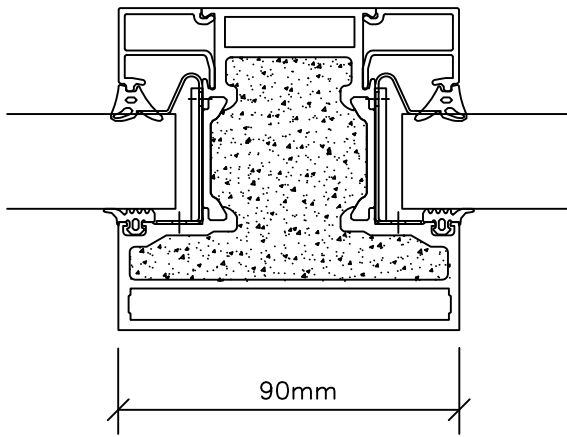
SCALE: FULL SCALE



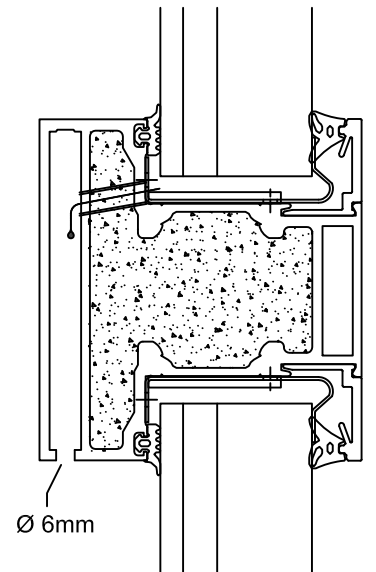
4 SEGMENTED MULLION SECTION
60 MIN. GLASS



5 HOR. MULLION SECTION
60 MIN. GLASS



6 VERT. MULLION SECTION
60 MIN. GLASS



5A HOR. MULLION SECTION (FOR EXTERIOR INSTALL)
60 MIN. GLASS

ALUFLAM

PROPRIETARY AND CONFIDENTIAL
THE INFORMATION CONTAINED IN THIS
DRAWING IS THE SOLE PROPERTY OF
ALUFLAM. ANY
REPRODUCTION IN PART OR AS A WHOLE
WITHOUT THE WRITTEN PERMISSION OF
ALUFLAM IS PROHIBITED.

		DIMENSIONS ARE IN MILLIMETERS		NAME	DATE	30/45/60 MINUTE FIRE-RATED FIXED OPENINGS FOR WINDOWS & WALLS	
		TOLERANCES:		DRAWN	I.Nachev		2010.02.07
		FRACTIONAL ±		CHECKED	Z.Meironas		2010.02.12
		ANGULAR: MACH ± BEND ±		ENG APPR.			
		TWO PLACE DECIMAL ±		MFG APPR.			
		THREE PLACE DECIMAL ±		Q.A.			
		MATERIAL		COMMENTS:			
NEXT ASSY	USED ON	FINISH		SIZE DWG. NO.		REV.	
APPLICATION				A 004			
				FO-4		WEIGHT: SHEET 4 OF 7	

GLAZING CONFIGURATIONS

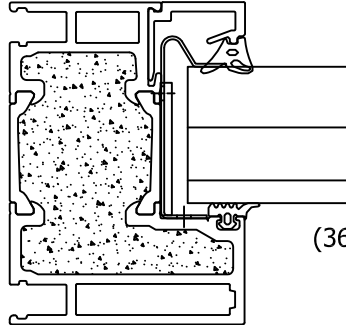
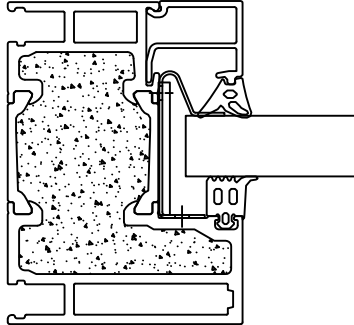
INTERIOR

EXTERIOR

(INSULATED GLASS UNITS)

30 Min. Rating - SGG Contraflam N2

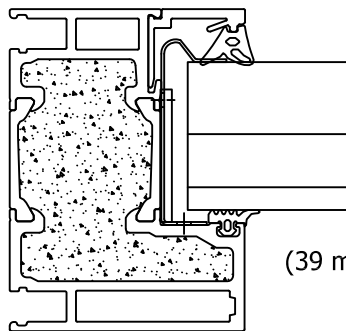
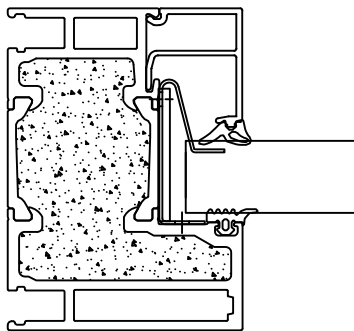
30 Min. Rating - IGU Contraflam



16 mm SGG Contraflam N2
 14 mm Air Space
 6mm Hardcoat Low-E Outboard Lite
 (36 mm Overall Glass Thickness)

45 Min. Rating - SGG Contraflam N2

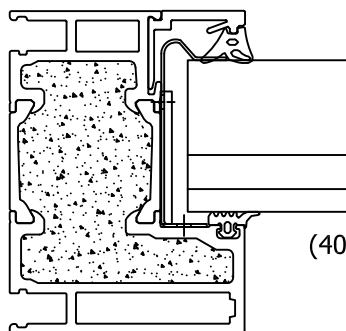
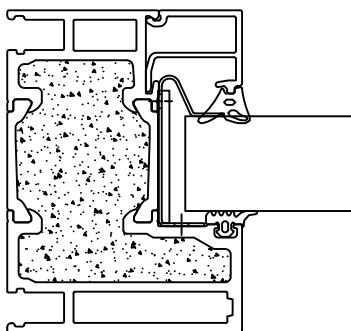
45 Min. Rating - IGU Contraflam



19 mm SGG Contraflam 45 N2
 14 mm Air Space
 6 mm Hardcoat Low-E Outboard Lite
 (39 mm Overall Glass Thickness)

60 Min. Rating - SGG Contraflam 60 N2

60 Min. Rating - IGU Contraflam 60



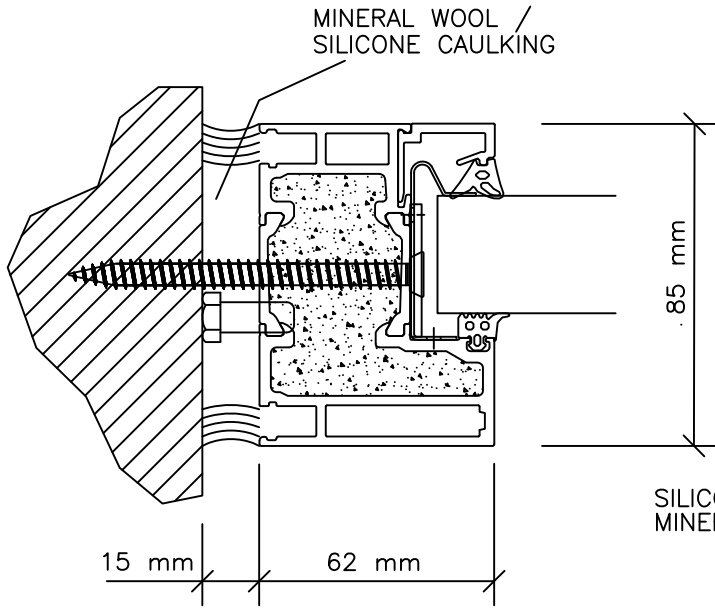
25 mm SGG Contraflam 60 N2
 9 mm Air Space
 6 mm Hardcoat Low-E Outboard Lite
 (40 mm Overall Glass Thickness)



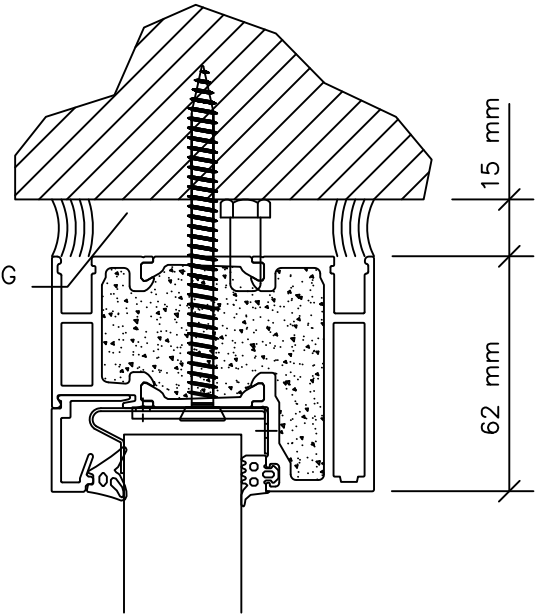
PROPRIETARY AND CONFIDENTIAL
 THE INFORMATION CONTAINED IN THIS
 DRAWING IS THE SOLE PROPERTY OF
 ALUFLAM. ANY
 REPRODUCTION IN PART OR AS A WHOLE
 WITHOUT THE WRITTEN PERMISSION OF
 ALUFLAM IS PROHIBITED.

		DIMENSIONS ARE IN MILLIMETERS		NAME	DATE	30/45/60 MINUTE FIRE-RATED FIXED OPENINGS FOR WINDOWS & WALLS	
		TOLERANCES:		DRAWN	I.Nachev		2010.02.07
		FRACTIONAL ±		CHECKED	Z.Meironas		2010.02.12
		ANGULAR: MACH ± BEND ±		ENG APPR.			
		TWO PLACE DECIMAL ±		MFG APPR.			
		THREE PLACE DECIMAL ±		Q.A.			
		MATERIAL		COMMENTS:			
NEXT ASSY	USED ON	FINISH				SIZE DWG. NO. 005	
APPLICATION						REV.	
				F0-5		WEIGHT: SHEET 5 OF 7	

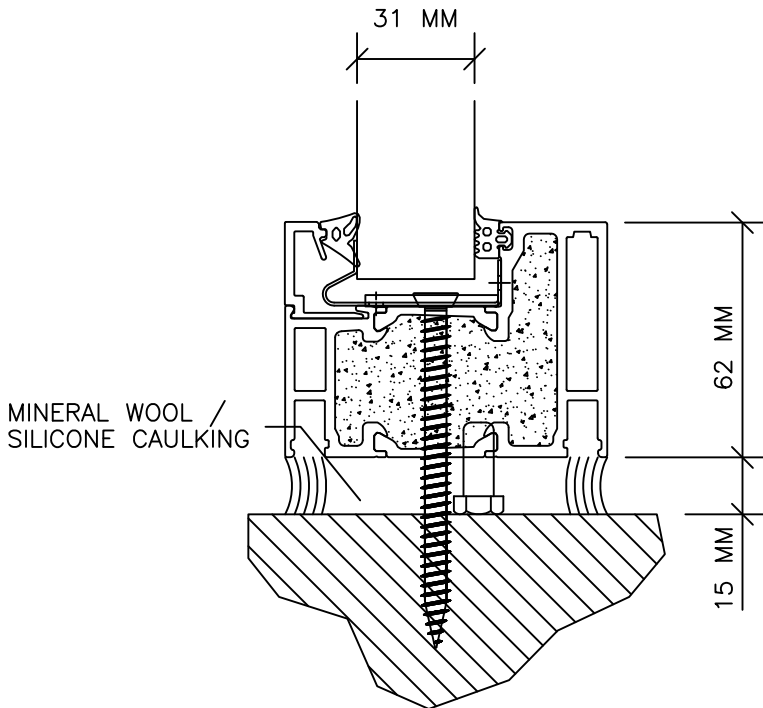
SCALE: FULL SCALE



7 VERT. SECTION
60 MIN. CONTRAFLAM STRUCTURE



8 HEAD SECTION
60 MIN. CONTRAFLAM STRUCTURE



9 SILL SECTION
60 MIN. CONTRAFLAM STRUCTURE

ALUFLAM

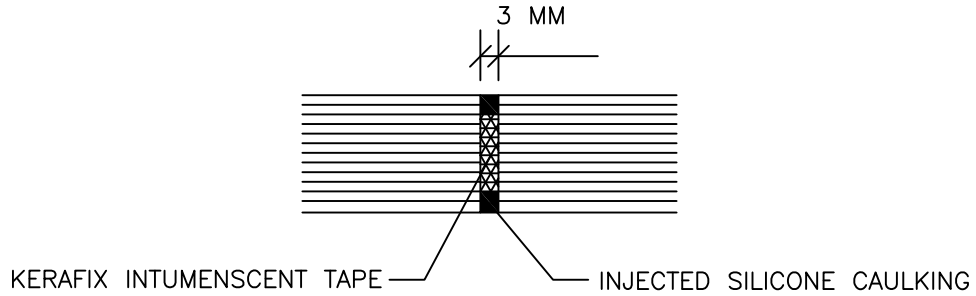
PROPRIETARY AND CONFIDENTIAL
THE INFORMATION CONTAINED IN THIS
DRAWING IS THE SOLE PROPERTY OF
ALUFLAM. ANY
REPRODUCTION IN PART OR AS A WHOLE
WITHOUT THE WRITTEN PERMISSION OF
ALUFLAM IS PROHIBITED.

		DIMENSIONS ARE IN MILLIMETERS		NAME	DATE
		TOLERANCES:		DRAWN	I.Nachev 2010.02.07
		FRACTIONAL ±		CHECKED	Z.Meironas 2010.02.12
		ANGULAR: MACH ± BEND ±		ENG APPR.	
		TWO PLACE DECIMAL ±		MFG APPR.	
		THREE PLACE DECIMAL ±		Q.A.	
		MATERIAL		COMMENTS:	
NEXT ASSY	USED ON	FINISH			
APPLICATION					

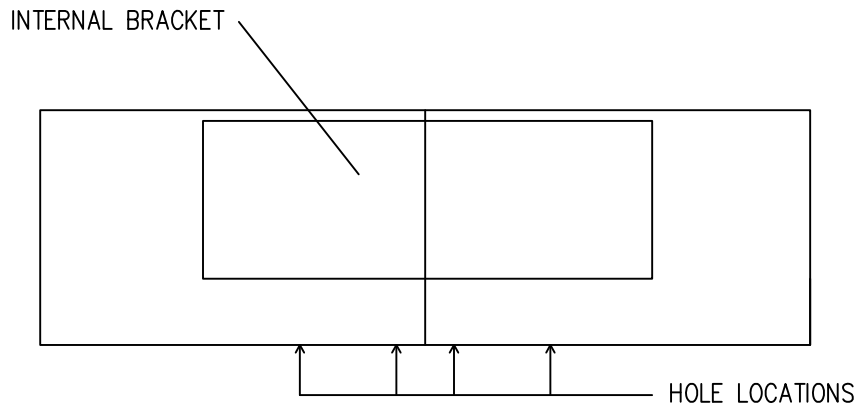
30/45/60 MINUTE FIRE-RATED FIXED
OPENINGS
FOR WINDOWS & WALLS

SIZE	DWG. NO.	REV.
A	006	
F0-6	WEIGHT:	SHEET 6 OF 7

SCALE: FULL SCALE



10 BUTT GLAZED JOINT SECTION
60 MIN. CONTRAFLAM STRUCTURE



11 STRAIGHT JOINT CONNECTION (*IF NECESSARY)
60 MIN. STRUCTURAL STRUCTURE

ALUFLAM

PROPRIETARY AND CONFIDENTIAL
THE INFORMATION CONTAINED IN THIS
DRAWING IS THE SOLE PROPERTY OF
ALUFLAM. ANY
REPRODUCTION IN PART OR AS A WHOLE
WITHOUT THE WRITTEN PERMISSION OF
ALUFLAM IS PROHIBITED.

		DIMENSIONS ARE IN MILLIMETERS		NAME	DATE	20/45/60 MINUTE FIRE-RATED FIXED OPENINGS FOR WINDOWS & WALLS	
		TOLERANCES:		DRAWN	I.Nachev		2010.02.07
		FRACTIONAL ±		CHECKED	Z.Meironas		2010.02.12
		ANGULAR: MACH ± BEND ±		ENG APPR.			
		TWO PLACE DECIMAL ±		MFG APPR.			
		THREE PLACE DECIMAL ±		Q.A.			
		MATERIAL		COMMENTS:			
NEXT ASSY	USED ON	FINISH					
APPLICATION							
SIZE	DWG. NO.				REV.		
A	007						
F0-7	WEIGHT:				SHEET 7 OF 7		